



Service Parts Catalog

NXT - Pinsetter
(with 14-Shovel Elevator)

47-902503-000
January 2023

Brunswick 
CUSTOMER SERVICE
A tradition in excellence.

NXT Pinsetter Service Parts Catalog

© January 2023 by Brunswick Bowling Products

NXT is a trademark of
Brunswick Bowling Products

Reorder Part Number 47-902503-000

Confidential proprietary information. All information contained in this document is subject to change without notice.
Do not reproduce or disclose without the written consent of Brunswick Bowling Products.

Brunswick Bowling Products
525 West Laketon Avenue
Muskegon, MI 49441-2601
U.S.A.

231-725-3300

Contents

Section A: PIN ELEVATOR

NXT - Pin Elevator Assembly (14 Shovel)	2
NXT - Pin Elevator Assembly (14 Shovel)	4
NXT - Shock Mounted Dual Feed Overflow Chute	6

Section B: TRANSPORT BAND

NXT - Transport Band Frame Assembly	2
NXT - Transport Band Tensioner Assembly Left Hand (14 Shovel Elevator)	4
NXT - Transport Band Tensioner Assembly Right Hand (14 Shovel Elevator)	6

Section C: BALL CUSHION & PIT CURTAIN

NXT - Ball Cushion Assembly	2
NXT - Pit Curtain Assembly	4

Section D: BALL ACCELERATOR / BALL ELEVATOR

NXT - Accelerator Box Assembly	2
NXT - Ball Accelerator	4
NXT - Ball Door/Lock Assembly	6

Section E: SWEEP

NXT - Sweep Drive	2
NXT - Sweep Assembly	4

Section F: SETTING TABLE

NXT - Setting Table Swing Shafts	4
NXT - Spotting Tong Assemblies	6
NXT - Pin Holder Assembly	8
NXT - Setting Table Drive	10

Section G: DISTRIBUTOR

NXT - Distributor Rails (14 Shovel Elevator)	2
NXT - Distributor Pin Guides (14 Shovel Elevator)	4
NXT - Distributor Rear Shaft (14 Shovel Elevator)	6
NXT - Distributor Drive (14 Shovel Elevator)	8
Universal Pin Station Assembly	12
Smart Shark	14

Section H: MAIN FRAME

NXT - Main Frame Assembly	2
NXT - TS-1 Switch	4

Section J: ELECTRICAL

360 Controller - Chassis (Standard Guarding) 47-143010-4XX	2
360 Controller - Chassis (Premium/CE Guarding) 47-143011-4XX (Internal Restart Button)	4
360 Controller - Chassis (Premium/CE Guarding) 47-143011-4XX (External Restart Button)	6
Ball Detect	8
High Voltage Control Box	10
Photo Sensor Reset Switch	12

Section K: MISCELLANEOUS

Belt Welding Kit and Belt Cutter	2
--	---

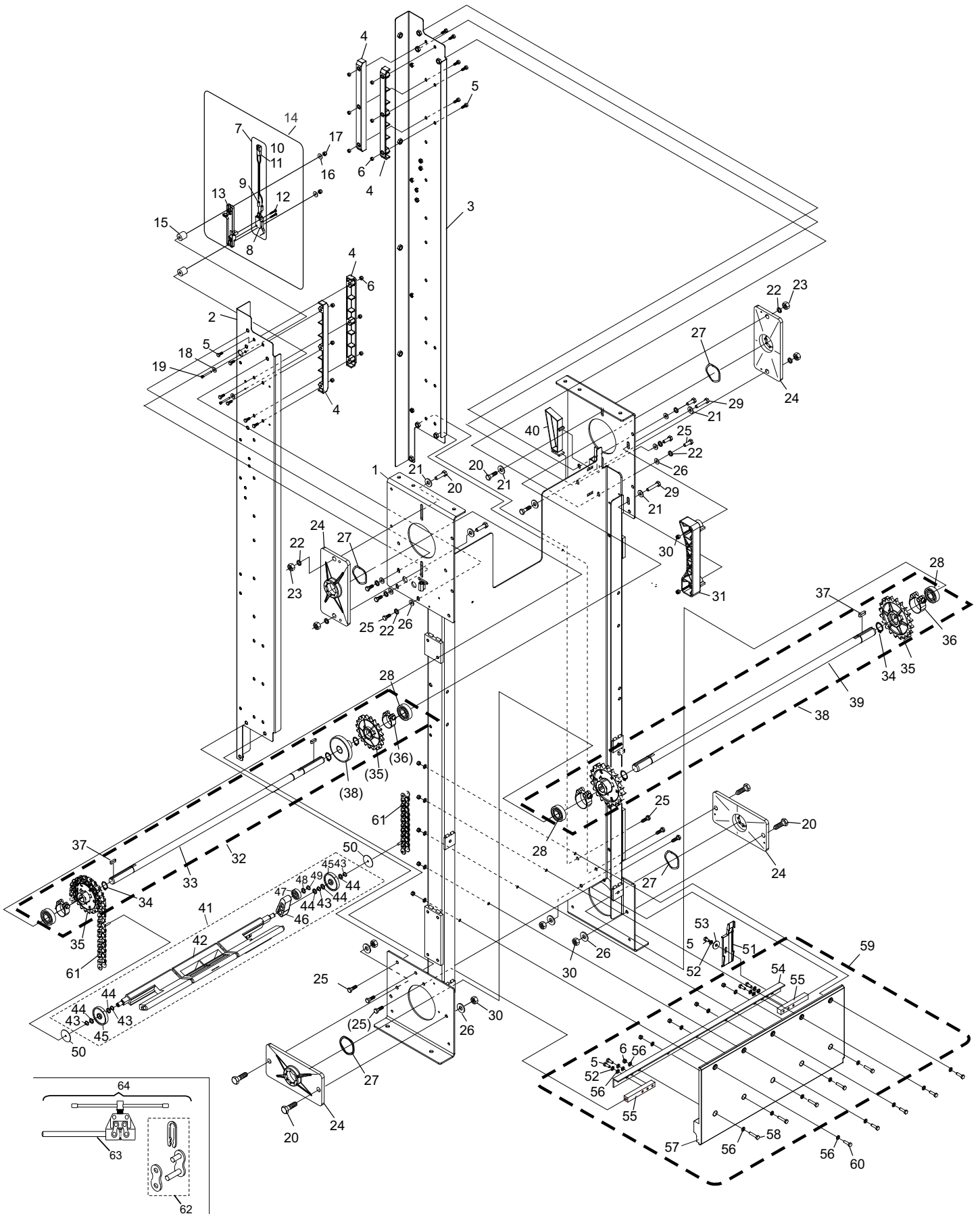
Intentionally Blank Page

Section A
PIN ELEVATOR

Index No.	Part No.	Package / Order Reference	Description
1.	47-017637-000		Frame
2.	47-017648-000		L.H. Side Frame
3.	47-017649-000		R.H. Side Frame
4.	47-017050-000		Molded Chain Guard
5.	11-051035-001		Hex Head Cap Screw (M6 x 16 mm)
6.	11-051743-001		M6 Locknut
7.	47-247346-000		Assembly, Sweep Down/Elevator "EC" Switch
8.	99-050325-004		Micro Switch
9.	45-220587-004		Insulating Tube
10.	11-680302-000		Terminal Pin
11.	11-680116-000		Plug
12.	11-051152-000		Screw (K25 x 16 mm)
13.	99-050330-003		Switch Support
14.	47-247440-009		Assembly - Switch Shovel Count
15.	47-016529-000		Spacer
16.	11-052021-001		Flat Washer
17.	11-051741-001		Locknut (M4)
18.	11-052025-001		Flat Washer
19.	47-052222-001		Slot Head Mach. Screw (M4 x 35 mm)
20.	11-051015-001		Hex Head Cap Screw (M8 x 25 mm)
21.	11-052006-001		Flat Washer
22.	11-051770-001		Lock Washer
23.	11-051704-001		Hex Nut (M8)
24.	47-015098-003		Bearing Plate
25.	11-051010-001		Hex Head Cap Screw (M8 x 20 mm)
26.	11-052003-001		Flat Washer
27.	47-014331-004		Bearing Shim Ring
28.	11-143050-001		Bearing
29.	11-051026-001		Hex Head Caps Screw (M8 x 40 mm)
30.	11-051744-001		Locknut
31.	47-014017-003		Elevator Shovel Flip Guide
32.	**47-015068-003		Assembly, Upper Drive Shaft - Complete
33.	47-014748-003		Drive Shaft
34.	11-051853-001		External Tooth Retaining Ring
35.	47-014924-003		Sprocket, 20 Tooth (Chain not included)
36.	47-093874-004		Sprocket Clamp
37.	11-053508-001		Key
38.	47-017645-009		Driving Shaft Assembly Complete
39.	47-017646-000		Driving Shaft
40.	47-013951-003		Wedge Guide
41.	47-013532-009		Pin Shovel Complete
42.	47-011049-001		Pin Shovel
43.	11-085851-001		External Tooth Retaining Ring
44.	11-052001-001		Flat Washer
45.	47-011047-004		Track wheel
46.	47-011048-004		Pivoting Lever
47.	47-011046-004		Nylon Track Wheel
48.	11-052018-001		Flat Washer
49.	11-051855-000		External Tooth Retaining Ring
50.	47-011241-004		Washer
51.	47-017331-000		Shovel Guide
52.	11-051769-001		Lock Washer
53.	11-052037-001		Flat Washer
54.	47-017330-000		Cross Bar
55.	47-017329-000		Elevator Dampening Support Bar
56.	11-052008-001		Flat Washer
57.	47-017052-000		Dampening Plate
58.	47-051022-001		Hex Head Cap Screw (M6 x 30 mm)
59.	47-016527-009		Dampening Plate Assembly
60.	11-051018-001		Hex Head Cap Screw (M6 x 20 mm)
61.	47-014008-003		Elevator Chain w/ 14 Shovel Pins - Complete
62.	47-013871-004		Master Link w/Long Pin
	11-600500-000		Standard Master Link
63.	47-013872-004		Chain Tool
64.	47-013873-004		Elevator Chain Repair Kit

** Also order #24 Bearing Plate (47-015098-003) and 2 each #27 Bearing Shim Ring, 47-014331-004.

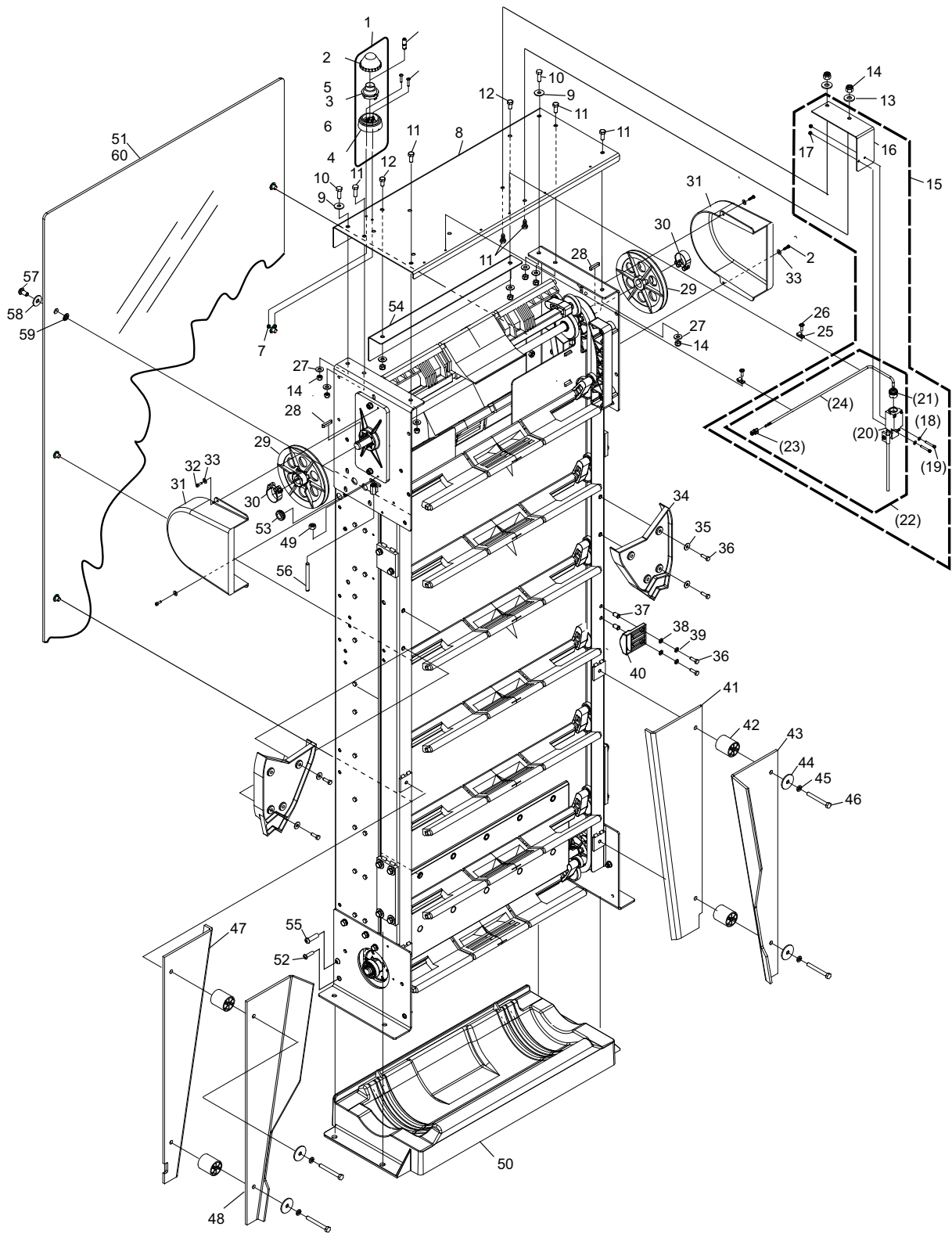
NXT - Pin Elevator Assembly (14 Shovel)



NXT - Pin Elevator Assembly (14 Shovel)

Index No.	Part No.	Package / Order Reference	Description
1.	47-016341-000		Trouble Light with White Cover
2.	47-016341-CO3		Housing
3.	47-016341-CO2		Inside Plastic
4.	47-016341-CO1		Cap
5.	47-226342-000		Bulb
6.	11-053818-000		Pan Head C.R. Screw (M4 x 20 mm)
7.	11-051741-001		Locknut
8.	47-017644-000		Top Plate
9.	11-052019-001		Flat Washer
10.	11-051015-000		Hex Head Screw (M8 x 25 mm)
11.	11-051010-001		Hex Head Screw (M8 x 20 mm)
12.	11-051038-001		Hex Head Screw (M8 x 16 mm)
13.	11-052006-001		Flat Washer
14.	11-051744-001		(M8) Locknut
15.	47-014917-009		Assembly, Pincount Switch (contains index nos. 16, 17, 18, 19 and 22)
16.	47-014920-004		Pincount Support Bracket
17.	11-051741-000		M4 Locknut
18.	11-052025-000		Flat Washer
19.	11-052208-000		Slotted Head Mach. Screw (M4)
20.	47-014919-004		Shark Switch
21.	99-050329-004		Strain Relief
22.	47-014918-003		Shark Switch w/o Bracket, Hardware for strain relief (contains index nos. 20, 21, 22, and 23)
23.	11-680116-000		Plug
24.			Cable
25.	11-604050-000		Cable Clamp
26.	11-081206-000		Thread Cutting Truss Head Screw (#10-24)
27.	11-052003-001		Flat Washer
28.	11-053509-000		Key
29.	47-014765-002		Pulley, V-Belt
30.	47-093874-004		Pulley Clamp
31.	47-014974-003		Pulley Guard
32.	11-051506-001		Socket Head Cap Screw (M4 x 12 mm)
33.	11-052021-001		Flat Washer
34.	47-016761-003		Pin Guide Shovel Deflector
35.	11-052037-001		Flat Washer
36.	11-051018-001		Hex Head Cap Screw (M6 x 20 mm)
37.	47-014805-004		Blind Rivet Nut (6 mm)
38.	11-052008-001		Flat Washer
39.	11-051769-001		Lockwasher
40.	47-014060-003		Shovel Bump Ejector
41.	47-016820-000		Pin Deflector R.H.
42.	47-014009-004		Front Pin Deflector Spacer
43.	47-016116-000		Pin Deflector Front R.H.
44.	11-052031-001		Flat Washer
45.	11-051770-001		Lockwasher
46.	11-051075-001		Hex Head Cap Screw (M8 x 70 mm)
47.	47-016921-000		Pin Deflector L.H.
48.	47-016117-000		Front Pin Deflector L.H.
49.	11-051704-001		Locknut
50.	47-017048-000		Pin Shovel Pan
51.	47-017650-000		Clear Guard (includes index nos. 51, 57, 58, 59)
52.	11-054466-000		Screw (M60 x 25 mm)
53.	11-051035-000		Grommet
54.	47-017647-000		Drop Plate
55.	11-054814-001		Button Head Cap Screw (M8 x 16 mm)
56.	11-054425-000		Slotted Set Screw (M8 x 80 mm)
57.	11-054814-001		Button Head Cap Screw (M8 x 16 mm)
58.	11-052019-001		Flat Washer
59.	11-053425-000		Pushnut
60.	47-017651-000		Assembly Clear Guard

NXT - Pin Elevator Assembly (14 Shovel)

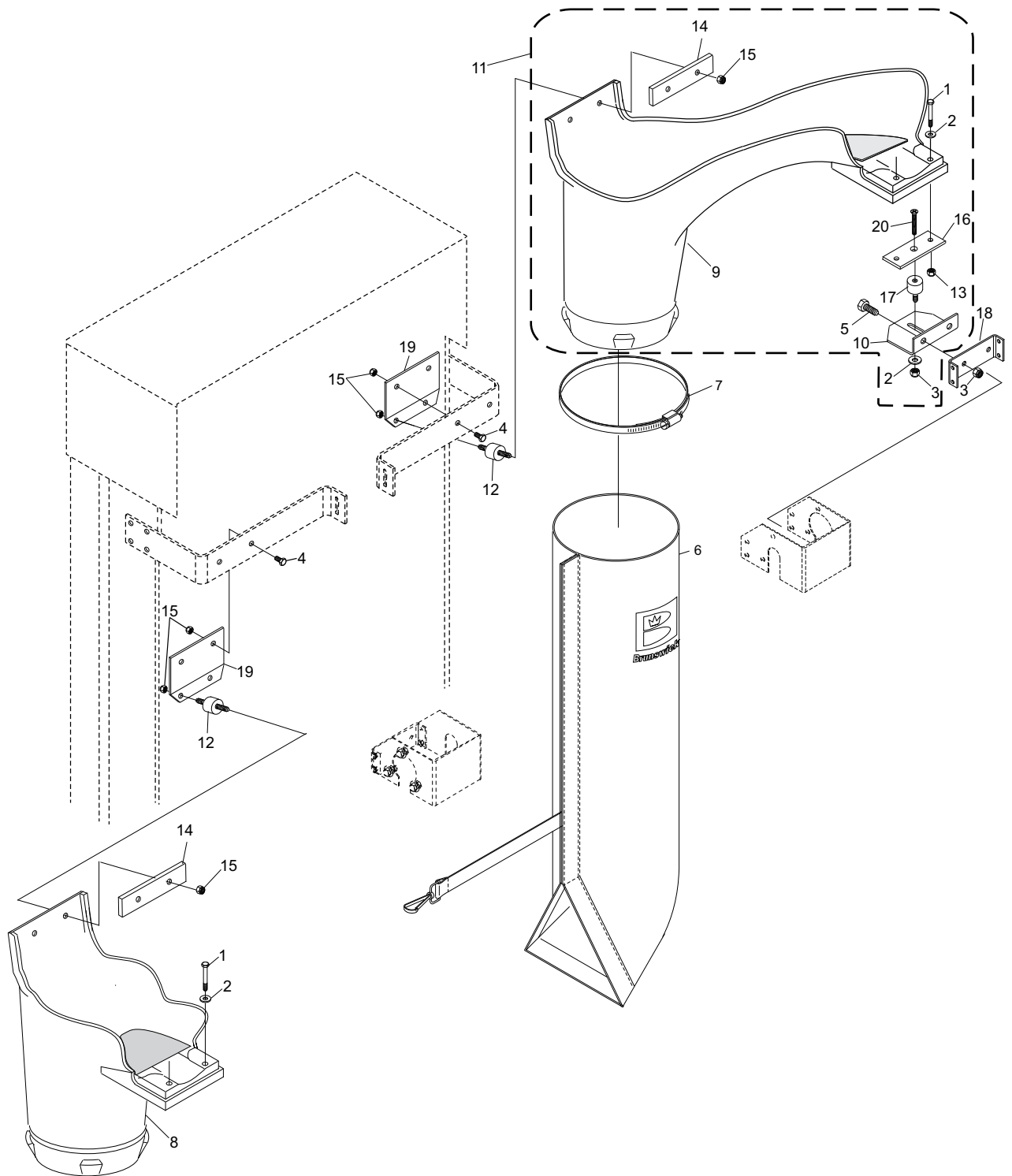


NXT - Pin Elevator Assembly (14 Shovel)

Index No.	Part No.	Package / Order Reference	Description
1.	11-051004-001	R.O.	Hex Hd. Cap Screw (5 mm x 25 mm)
	47-861001-001		Hex Hd. Cap Screw (5 mm x 25 mm) Pkg. of 10
2.	11-052039-001		Flat Washer (5.3 mm)
3.	11-051744-001		Locknut (8 mm)
4.	11-051035-001		Hex Hd. Cap Screw (6 mm x 16 mm)
5.	11-051038-001		Hex Hd. Cap Screw (8 mm x 16 mm)
6.	47-097509-000		OEM Overflow Pin Sock
	47-022531-000		Sock (Black)
	47-092529-600		Sock - heavy duty (White)
7.	11-603301-000		Overflow Chute Clamp
8.	47-095738-001		L.H. Plastic Chute - only
9.	47-095737-001		R.H. Plastic Chute - only
10.	47-095728-004		Angle Bracket
11.	47-095740-009		R.H. Chute Assembly w/out Sock
	47-095739-009		L.H Chute Assembly w/out Sock
12.	11-053587-000		Rubber Bumper (25 mm x 15 mm)
13.	11-051742-001		Locknut (5 mm)
14.	47-095727-004		Pressure Plate
15.	11-051743-001		Locknut (6 mm)
16.	47-095726-004		Mounting Plate
17.	11-053588-000		Rubber Bumper (30 mm x 20 mm)
18.	47-093749-004	Bracket	
19.	47-095729-004	Mounting Bracket	
20.	11-052938-001	Flat Hd. Screw (8 mm x 12 mm)	
21.	47-860003-000	Pin Wipe	

R.O. = Replacement Option

NXT - Shock Mounted Dual Feed Overflow Chute



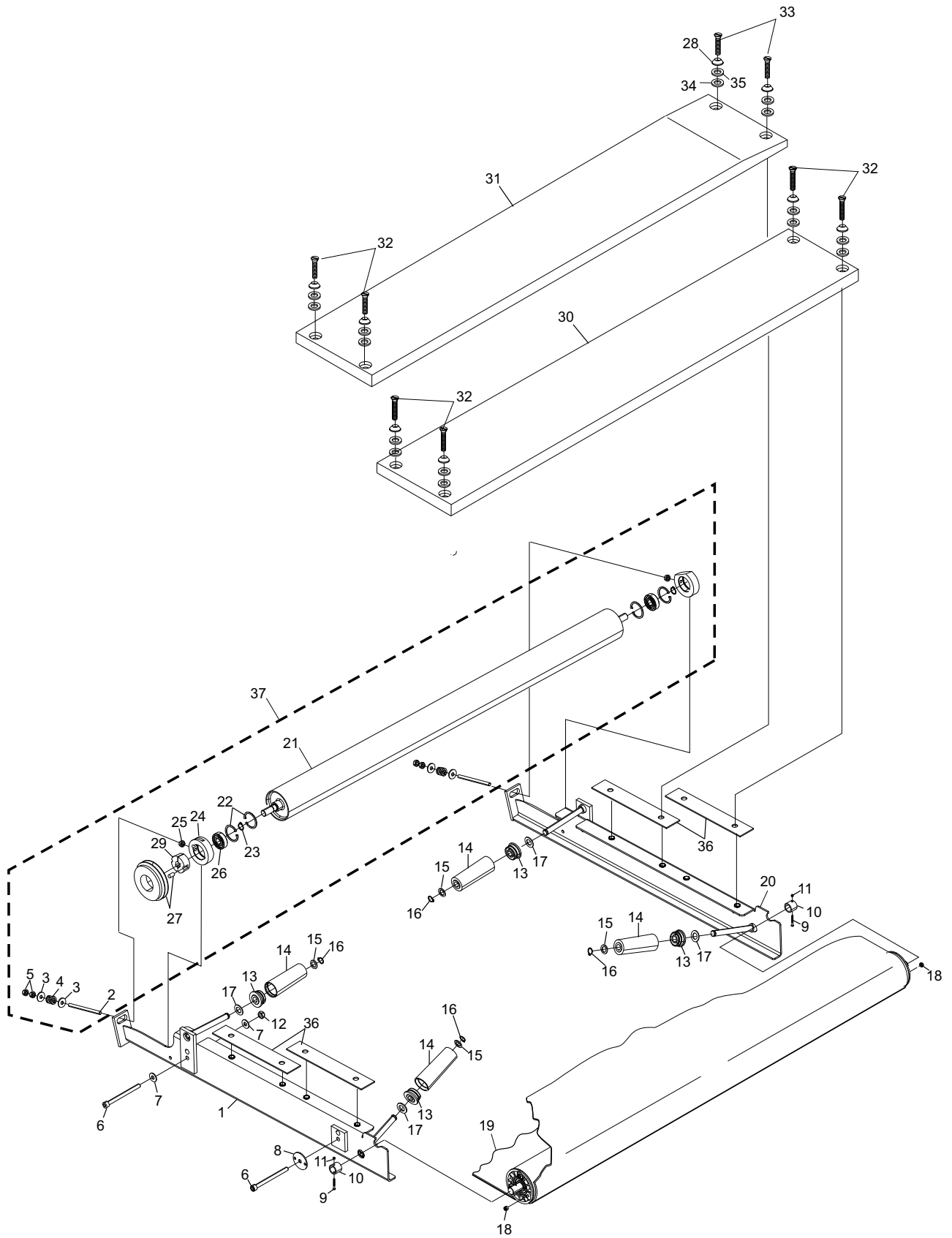
NXT - Shock Mounted Dual Feed Overflow Chute

Intentionally Blank Page

Section B
TRANSPORT BAND

Index No.	Part No.	Package / Order Reference	Description
1.	47-026632-009		L.H. T-Band Side Frame - Complete Includes Index No. 13,14,15,16,and 17
	47-022639-009		L.H. T-Band Side Frame - Frame Weldment Only
2.	47-024093-004		Threaded Rod
3.	12-052050-001		Flat Washer
4.	47-024309-001		Spring
5.	11-051703-001		Hex Nut
6.	11-051569-001		SHCS
7.	11-052028-001		Flat Washer
8.	84-200918-000		Washer
9.	11-051561-001		Hex Head Cap Screw
10.	47-025157-000		Spacer
11.	11-051746-001		Hex Nut
12.	11-051858-001		LockNut
13.	47-092043-000		Roller Base
14.	47-020942-003		Roller
15.	11-052064-000		Washer
16.	11-051858-001		External Tooth Retaining Ring
17.	11-052053-001		Flat Washer (6.4mm ID x 20mm OD.)
18.	11-051743-001		Hex Nut
19.	11-635201-000		Band
20.	47-026632-009		R.H. T-Band Side Frame - Complete Includes Index No. 13,14,15,16,and 17
	47-022638-009		R.H. T-Band Side Frame - Frame Weldment Only
21.	47-023965-002		Drive Roller
22.	11-051902-001		Retaining Ring Internal Tooth
23.	11-051853-001		Retaining Ring External Tooth
24.	47-024094-003		T-Band Adjustment - Steel Ring
25.	11-051745-001		Hex Nut
26.	11-430060-000		Bearing
27.	47-025049-004		V-belt Drive Pulley w/Set Screw
28.	47-024740-004		Finishing Washer (5.3 mm x 28 mm x 10.2 mm)
29.	47-021110-004		Spacer
30.	47-023959-003		Front Board Assembly - Complete
31.	47-025175-003		L.H. Rear Board Assembly - Complete (odd lane)
	47-025176-003		R.H. Rear Board Assembly - Complete (even lane)
32.	11-052930-000		Socket Flat Hd. Cap S.S. Screw (10 mm x 60 mm)
33.	11-052929-000		Socket Flat Hd. Cap Screw S.S. (10 mm x 50 mm)
34.	47-024741-004		Flat Washer (10.5 mm)
35.	47-861042-001		Rubber Washers (Pkg of 10)
36.	47-023915-000		Rubber Strip
37.	47-027442-009		Rear Roller Assy R.H. - Complete
	47-027443-009		Rear Roller Assy L.H. - Complete

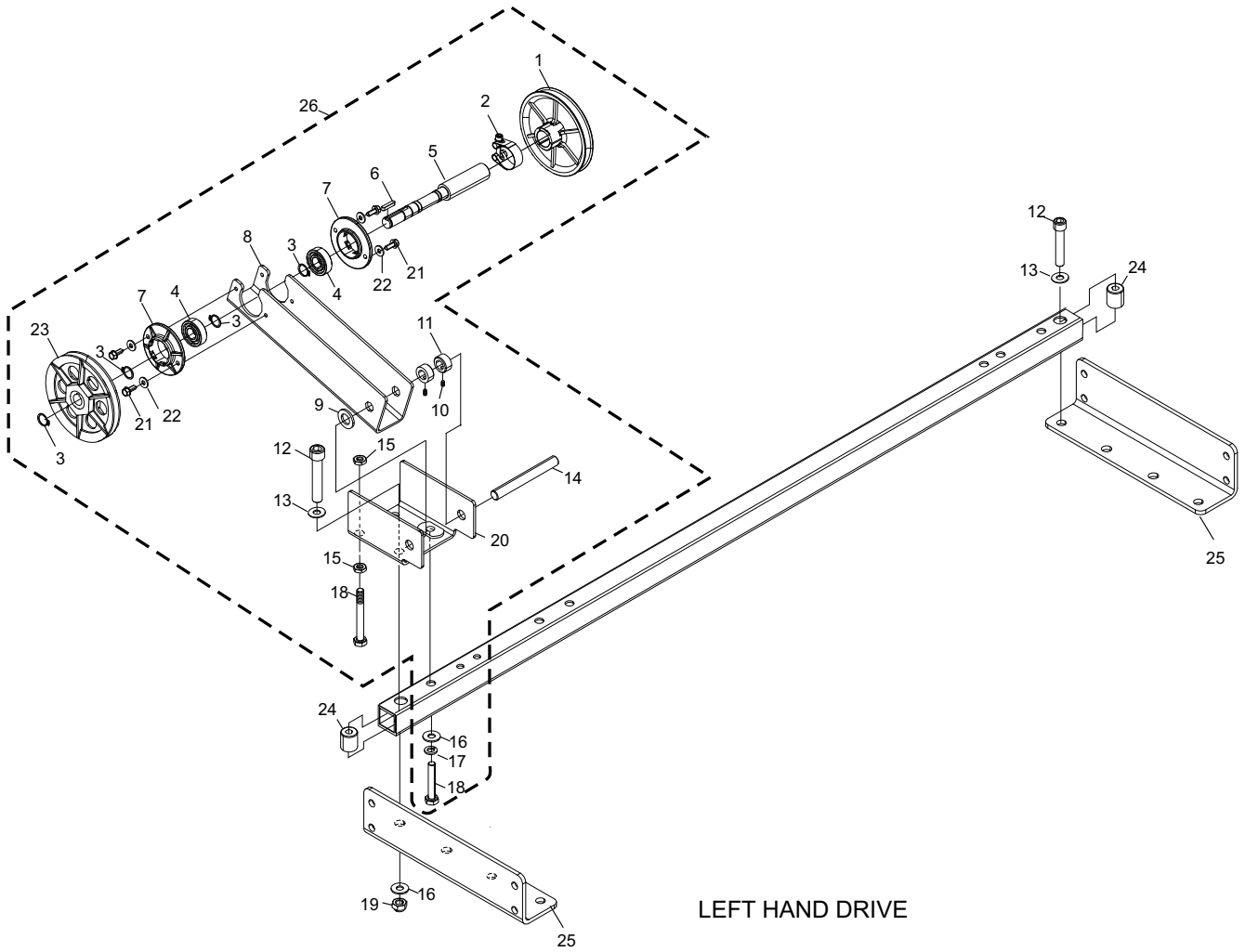
NXT - Transport Band Frame Assembly



NXT - Transport Band Frame Assembly

Index No.	Part No.	Package / Order Reference	Description
1.	47-093863-000		Pulley
2.	47-093874-000		Clamp
3.	11-051852-001		External Tooth Retaining Ring
4.	11-430007-000		Bearing
5.	47-023998-004		Double Pulley Shaft
6.	11-053501-001		Key
7.	47-094326-004		Flange
8.	47-023999-002		Lever
9.	11-052027-000		Spacer
10.	11-053104-000		Set Screw
11.	11-053616-000		Collar
12.	11-051537-001		Socket Head Cap Screw (M12 x 65 mm)
13.	11-052024-001		Flat Washer (M10)
14.	47-024037-000		Shaft
15.	11-053153-001		Hex Nut
16.	11-052028-001		Flat Washer
17.	11-051771-001		Lock Washer
18.	11-051057-001		Hex Head Cap Screw (M10 x 60 mm)
19.	11-051747-001		Locknut
20.	47-024006-003		Bracket
21.	11-054450-001		Hex Head Cap Screw
22.	11-052048-001		Flat Washer
23.	47-013956-003		Pulley
24.	47-021110-004		Spacer
25.	47-026649-000		Ball Cushion Mount - Bracket
26.	47-026671-009		Pit Drive Assembly, LH - Complete

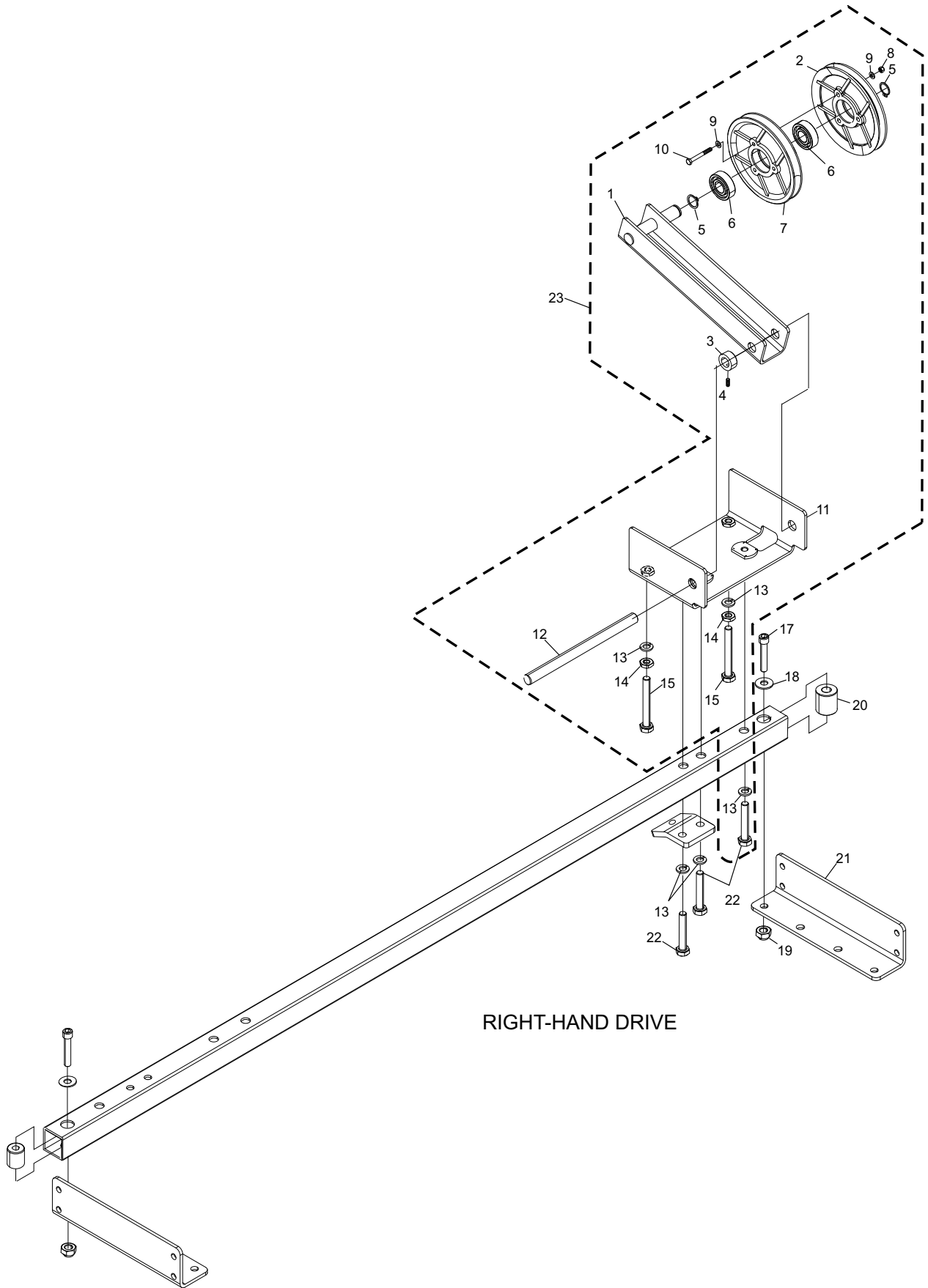
NXT - Transport Band Tensioner Assembly Left Hand (14 Shovel Elevator)



NXT - Transport Band Tensioner Assembly Left Hand (14 Shovel Elevator)

Index No.	Part No.	Package / Order Reference	Description
1.	47-024007-000		Arm
2.	47-024004-003		Pulley
3.	11-053616-000		Collar
4.	11-051537-001		Socket Head Screw
5.	11-051852-001		External Tooth Retaining Ring
6.	11-430007-000		Bearing
7.	47-092415-000		Pulley
8.	11-051742-001		Locknut
9.	11-052005-001		Flat Washer
10.	11-051027-001		HHCS
11.	47-026664-000		Bracket
12.	47-026672-000		Shaft
13.	11-051771-001		Lock Washer
14.	11-053153-001		Hex Nut
15.	11-051046-001		Hex Head cap Screw (M10 x 80 mm)
16.	11-053651-001		Hex Nut
17.	11-051537-001		Socket Head Screw
18.	11-052024-001		Flat Washer
19.	11-051747-001		Locknut
20.	47-021110-004		Spacer
21.	47-026649-000		Ball Cushion Mount - Bracket
22.	11-051057-001		Hex Head Cap Screw
23.	47-026662-009		Elevator/Pit Drive Assembly, RH - Complete

NXT - Transport Band Tensioner Assembly Right Hand (14 Shovel Elevator)



NXT - Transport Band Tensioner Assembly Right Hand (14 Shovel Elevator)

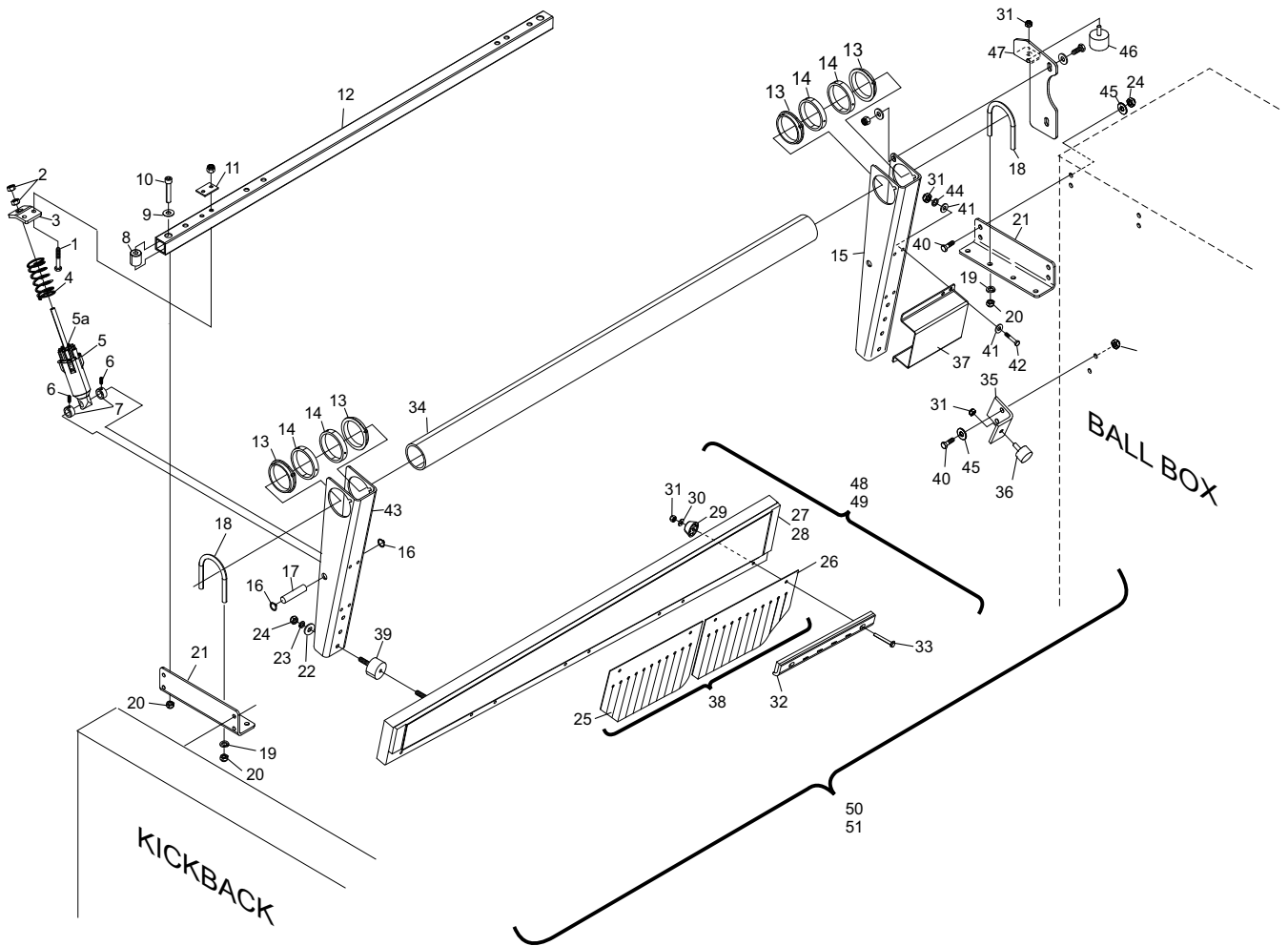
Intentionally Blank Page

Section C
BALL CUSHION & PIT CURTAIN

Index No.	Part No.	Package / Order Reference	Description
1.	11-051031-001		Screw Hex. Cap. (M10x 65 mm)
2.	11-051706-001		Hex Nut (12 mm)
3.	11-026660-000		Hydraulic Mounting Plate
4.	99-026820-000		Spring
5.	99-020402-002		Hydraulic Shock, Includes Index No. 2
5a.	11-055351-000		Sealing Ring
6.	11-052804-000		Set Screw
7.	11-053624-000		Stop Collar
8.	47-021110-000		Spacer
9.	11-052024-001		Flat Washer (M10)
10.	11-051537-001		Socket Head Screw (M12 x 65 mm)
11.	47-021120-004		Mounting Plate
12.	47-026659-000		Transverse Bar
13.	99-010108-004		Bearing (Bushing)
14.	47-020953-004		Stop Collar
15.	47-026651-000		Support
16.	11-051861-001		External Retaining Ring (20 mm)
17.	47-075466-004		Shaft
18.	99-026821-000		U-Clamp
19.	11-051773-001		Lockwasher
20.	11-051747-001		Locknut
21.	47-026649-000		Bracket
22.	11-052018-001		Flat Washer (M10)
23.	11-051771-001		Lockwasher (M10)
24.	11-051745-001		Hex Nut (M10)
25.	47-024824-003		Cushion Flap - Left
26.	47-024825-003		Cushion Flap - Right
27.	47-027221-000		Cushion Board - L.H.
28.	47-027222-000		Cushion Board - R.H.
29.	47-023660-004		Bumper
30.	11-052003-001		Flat Washer
31.	11-051744-001		Locknut
32.	47-021010-003		Impact Strip
	47-026102-009	R.O.	AP Impact Strips (Qty. 2)
33.	11-051055-001		Hex head Cap Screw (M8 x 60 mm)
34.	47-026650-000		Ball Cushion Weldment Tube
35.	47-025751-000		Stop Bracket
36.	99-020434-000		Rubber Stop
37.	47-026873-000		Upper Ball Cushion Plate
38.	47-274888-009		Cushion Flap Kit - Includes index No. 26 and 27
39.	99-070398-000		Bumper
40.	11-051019-001		HHCS
41.	11-052006-001		Flat Washer
42.	11-051028-001		HHCS
43.	47-062652-000		Support
44.	11-051770-001		Lockwasher
45.	11-052028-001		Flat Washer
46.	11-053578-000		Rubber Stop
47.	47-026623-000		Stop Plate
48.	47-027223-009		Ball Cushion Board L.H. - Complete
49.	47-027224-009		Ball Cushion Board R.H. - Complete
50.	47-026647-009		Ball Cushion L.H. - Complete
51.	47-026648-009		Ball Cushion R.H. - Complete

R.O. = Replacement Option

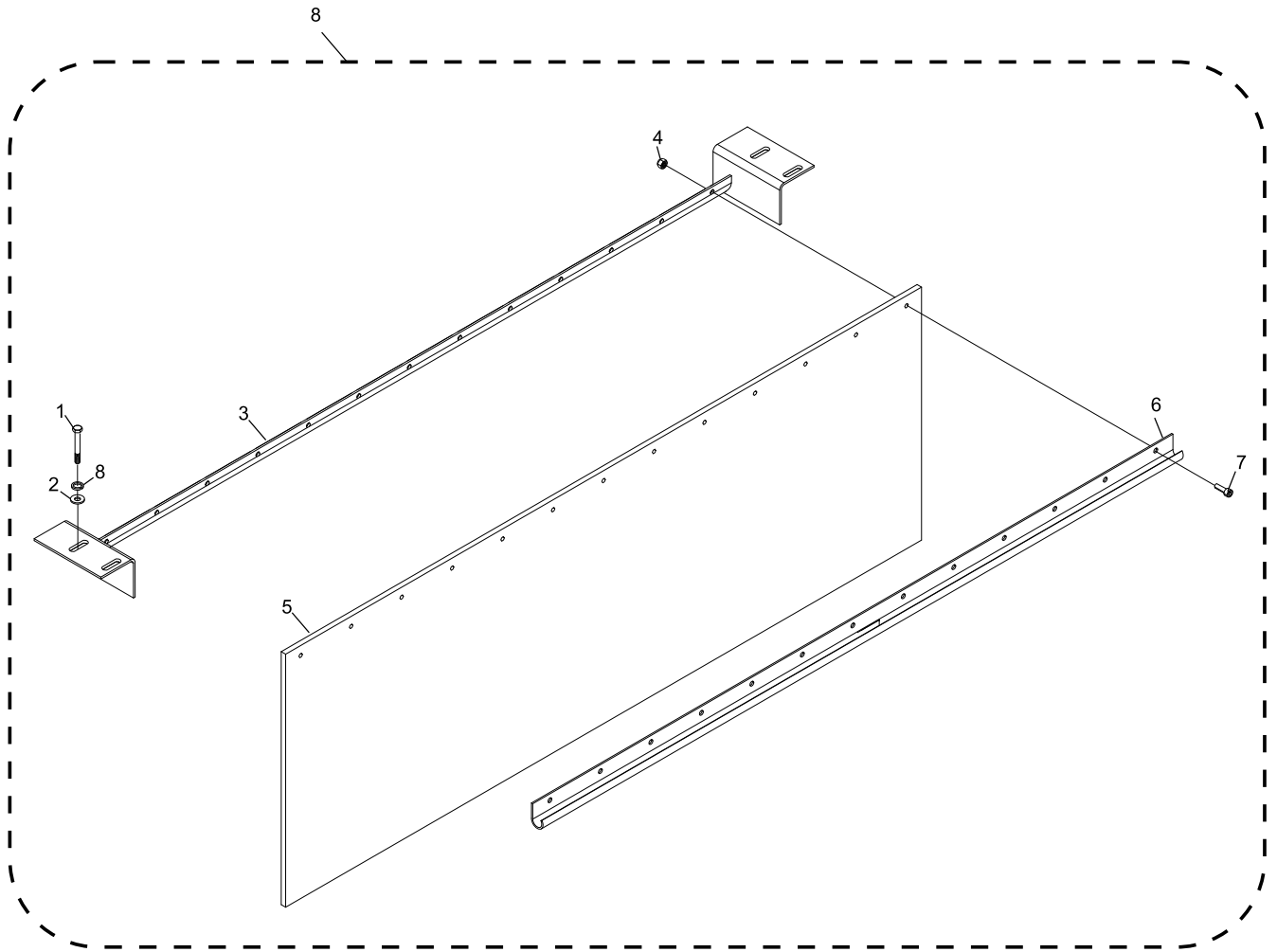
NXT - Ball Cushion Assembly



NXT - Ball Cushion Assembly

Index No.	Part No.	Package / Order Reference	Description
1.	11-051055-001		Hex Hd. Cap Screw
2.	11-052019-001		Flat Washer
3.	47-021088-002		Pit Curtain Support Bracket
4.	11-051744-001		Locknut
5.	47-021084-104		Curtain
6.	47-021083-003		Pit Curtain Holder
7.	11-051533-001		Socket Hd. Cap Screw (8 mm x 25 mm)
8.	47-021196-002		Pit Curtain Assembly Complete

NXT - Pit Curtain Assembly



NXT - Pit Curtain Assembly

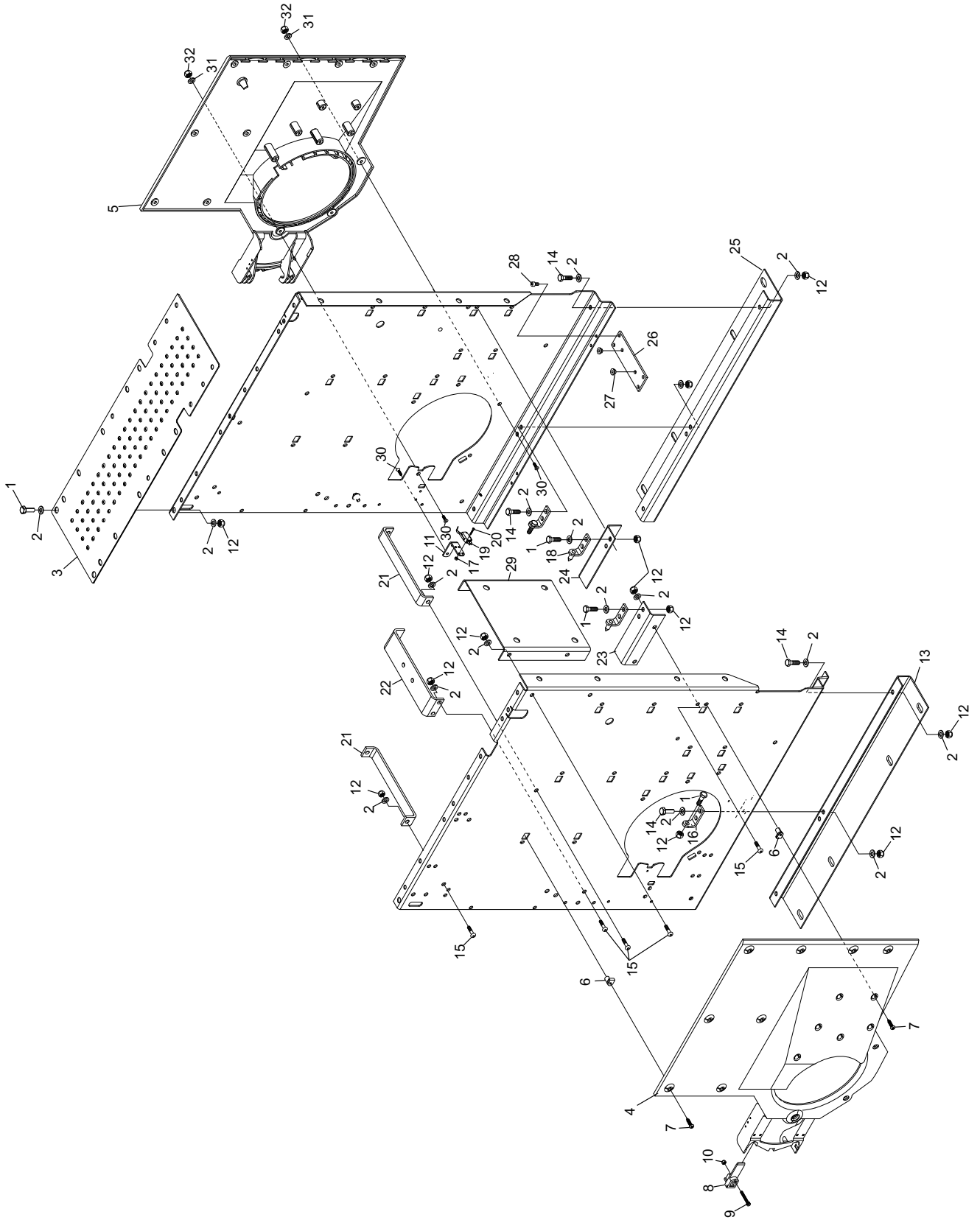
Intentionally Blank Page

Section D

**BALL ACCELERATOR /
BALL ELEVATOR**

Index No.	Part No.	Package / Order Reference	Description
1.	11-051019-001		Hex Head Cap Screw (M10 x 25 mm)
2.	11-052018-001		Washer
3.	47-036694-001		Ball Box Top
4.	47-035240-001		L.H. Ball Door Protector Plate - 10 pin side
5.	47-035241-001		R.H. Ball Door Protector Plate - 7 pin side
6.	11-055800-000		EJOT Plastic Fastener (Nut Plate)
7.	11-054466-000		EJOT Plastic Fastener Screw (25 mm x 60 mm)
8.	47-035239-004		Axle Wedge
9.	11-051562-000		Socket Head Screw
10.	11-052008-001		Locknut
11.	47-036711-000		L Bracket
12.	11-051745-001		Lockut
13.	47-035205-000		L.H. Front Support
14.	11-051045-001		HHCS
15.	11-054805-001		Screw
16.	47-035219-003		Ball Accelerator Angle Bracket w/Screw
17.	11-051746-000		Hex Nut
18.	47-035220-003		Bracket w/Mount Pin
19.	99-050325-000		Switch
20.	11-052216-000		Screw
21.	47-035207-000		Support Brace
22.	47-035228-000		Support Brace Wide
23.	47-035224-000		Bracket L.H.
24.	47-035223-003		Bracket R.H.
25.	47-035206-000		L.H. front Support
26.	47-035204-003		Plate
27.	47*035371-004		Insert
28.	11-051519-001		Screw
29.	47-035208-000		Plate
30.	11-052933-001		Countersunk Screw (5 mm x 12 mm)
31.	11-052020-001		Flat Washer (5.3 mm)
32.	11-051742-001		Locknut (5 mm)

NXT - Accelerator Box Assembly

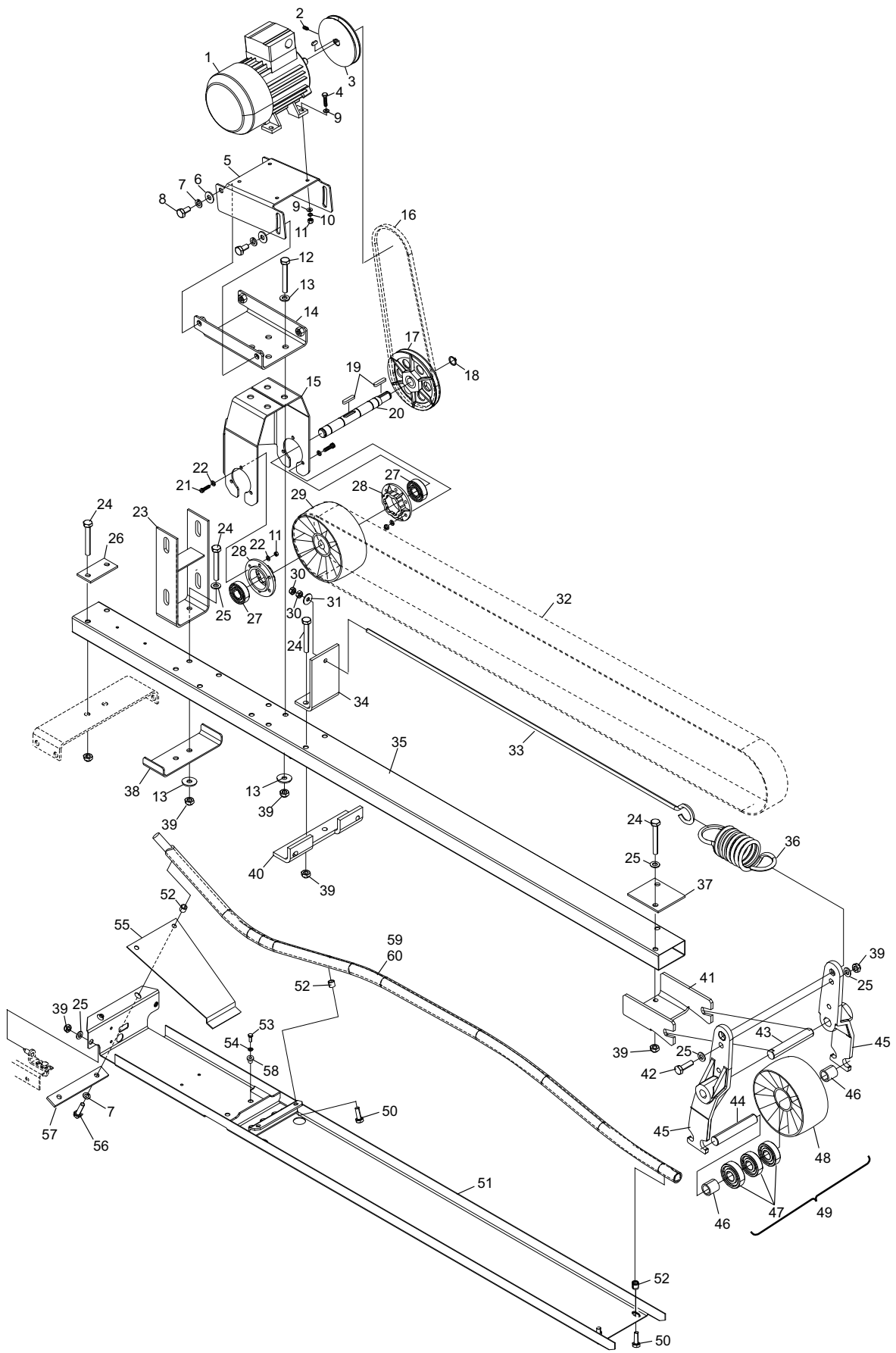


NXT - Accelerator Box Assembly

Index No.	Part No.	Package / Order Reference	Description
1.	99-076886-000		Accelerator Motor (380V/400V) - Motor Only
	99-076885-000		Accelerator Motor (208V/230V) - Motor Only
	47-076891-400	R.O.	Accelerator Motor w/Cable, Pulley - (Wired for 380V/400V)
	47-076891-230	R.O.	Accelerator Motor w/Cable, Pulley (Wired for 208V/230V)
2.	11-053101-001		Set Screw (M6 x 8 mm)
3.	47-036703-001		Motor Pulley
4.	11-051028-001		Hex Head Cap Screw (M6 x 25 mm)
5.	47-037451-000		Support Plate- Tension Adjustment
6.	11-052028-001		Flat Washer (M10)
7.	11-051771-001		Lockwasher (M10)
8.	11-051005-001		Hex Head Cap Screw (M10 x 20 mm)
9.	11-052048-001		Flat Washer (M6)
10.	11-051069-001		Lockwasher (M6)
11.	11-051743-001		Locknut (M6)
12.	11-051087-001		Hex Head Cap Screw (M10 x 65 mm)
13.	11-052050-001		Flat Washer (M10)
14.	47-037452-000		Support Bracket (Lower)
15.	47-036697-001		Drum Bracket
16.	11-053912-000		Belt
17.	47-013956-003		V-Belt Pulley
18.	11-051852-000		External Tooth Retaining Ring (17 A)
19.	11-053501-001		Key (5 mm x 5 mm x 25 mm)
20.	47-036700-001		Drive Shaft
21.	11-051515-001		Socket Head Screw (M6 x 18 mm)
22.	11-052007-001		Flat Washer
23.	47-035225-000		Locking Bolt Bracket Support
24.	11-051093-001		Hex Head Cap Screw (M10 x 75 mm)
25.	11-052018-001		Flat Washer
26.	47-035344-004		Stiffening Plate (Rear)
27.	11-430015-000		Bearing
28.	47-014752-003		Bearing Flange
29.	47-036701-001		Driving Roller
30.	11-051704-001		Hex Nut (M8)
31.	11-052019-001		Flat Washer
32.	10-635127-000		Flat Belt
33.	47-036705-000		Tension Rod
34.	47-035235-000		Support Bracket - Tension Rod
35.	47-035227-000		Support Bar
36.	47-031248-004		Spring
37.	47-035345-003		Stiffening Plate (Front)
38.	47-036704-000		Cross Support Brace
39.	11-051745-001		Hex LockNut (M10)
40.	47-035229-000		Shaft Holder
41.	47-035231-000		Support Bracket - Front Drum
42.	11-051021-001		Hex Head Cap Screw (M10 x 35 mm)
43.	47-035230-004		Shaft
44.	47-035233-004		Shaft for Drive Roller
45.	47-031454-002		Pivoting Lever
46.	47-035234-004		Spacer
47.	11-430016-000		Bearing
48.	47-035232-C01		Roller - Front
49.	47-035232-002		Drive Roller w/Bearing and Shaft (Includes Index No. 44,47,and 48)
50.	11-051045-001		Hex Head Cap Screw (M10 x 30 mm)
51.	47-035211-000		Ball Rod Support Tray - Complete
52.	47-035214-001		Distancing Spacer
53.	11-051035-001		Hex Head Cap Screw (M6 x 16 mm)
54.	11-053602-001		Lockwasher (M6)
55.	47-035531-003		Protection Plate
56.	11-051078-000		Hex Head Cap Screw (M10 x 40 mm)
57.	47-035311-004		Stiffening Plate - Ball Rod
58.	47-035371-004		Spacer for Ball Accelerator
59.	47-035303-000		Guide Tube
60.	47-034730-000		Plastic Tube (cover)

R.O. = Replacement Option

NXT - Ball Accelerator

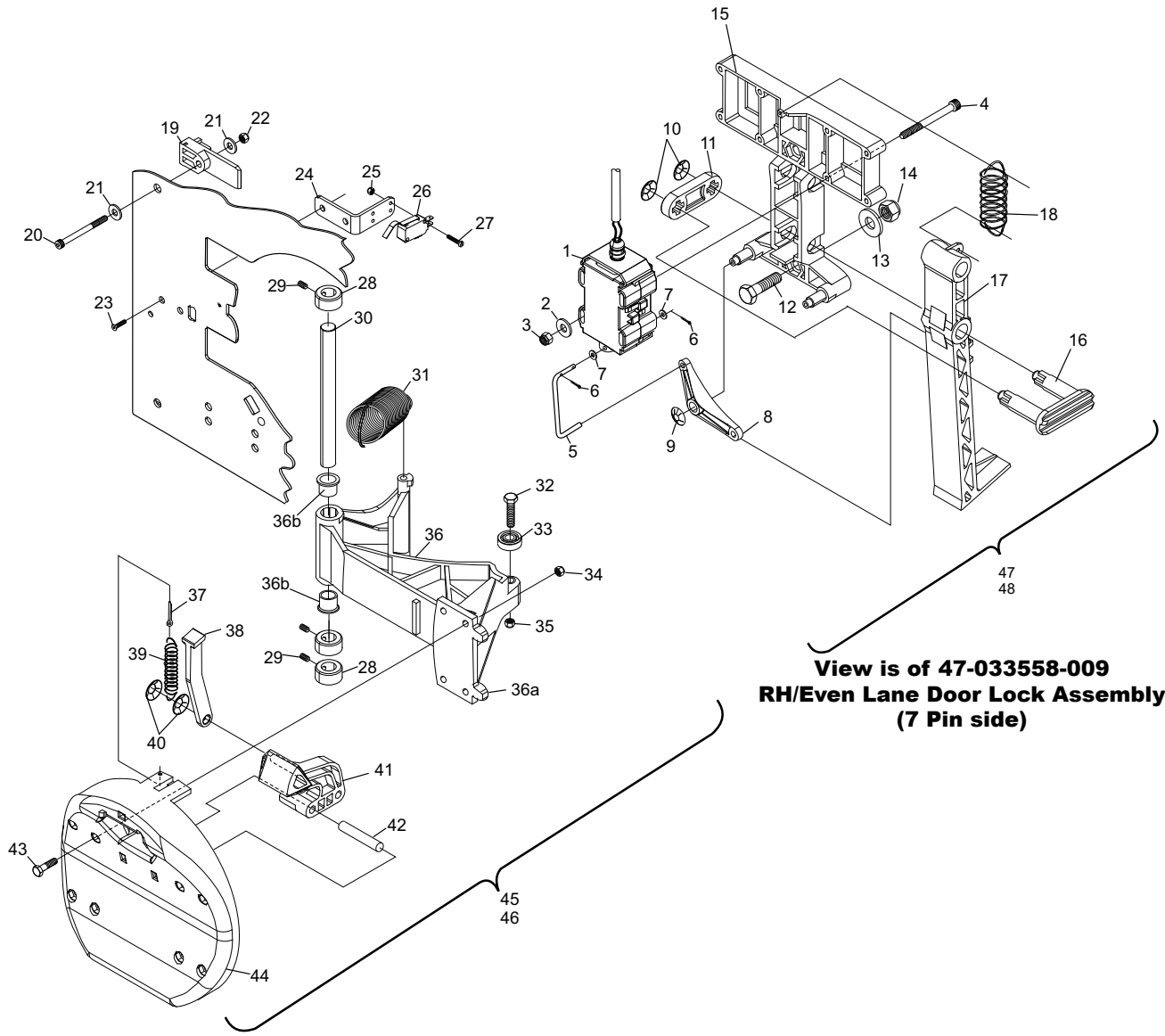


NXT - Ball Accelerator

Index No.	Part No.	Package / Order Reference	Description
1.	99-070356-004		Solenoid Assembly
2.	11-052039-001		Flat Washer (5.3 mm)
3.	11-051742-001		Locknut (5 mm)
4.	11-051068-001		Hex Hd. Cap Screw (5 mm x 65 mm)
5.	47-031801-004		Connecting Link
6.	11-051791-001		Split (Cotter) Pin (1.6 mm x 10 mm)
7.	11-052025-001		Flat Washer (M4)
8.	47-031802-004		Lever
9.	11-053478-001		Speed Nut (8 mm)
10.	11-053480-001		Speed Nut (10 mm)
11.	47-031800-004		Pivot Link
12.	11-051021-001		Hex Hd. Cap Screw (10 mm x 35 mm)
13.	11-052028-001		Flat Washer (10.5 mm)
14.	11-051745-001		Locknut (10 mm)
15.	47-031796-002		Holder
16.	47-031798-004		Connecting Stud
17.	47-031797-002		Locking Bolt
18.	47-031799-004		Tension Spring
19.	47-035239-004		Holder - Ball Door Arm Shaft
20.	11-051562-001		Socket Head Cap Screw (M6 x 60 mm)
21.	11-052008-001		Flat Washer
22.	11-051743-001		Hex Locknut
23.	11-052933-001		Socket Flat Head Countersunk Screw
24.	47-036711-C01		Ball Door Sensor Bracket
25.	11-051746-001		Hex Locknut (M3)
26.	99-050325-004		Micro Switch
27.	11-052216-001		Slotted Head Machine Screw (M3 x 18 mm)
28.	11-053622-001		Stop Ring
29.	11-053101-001		Socket Set Screw (M6 x 8 mm)
30.	47-035238-004		Ball Door Arm Shaft
31.	47-030276-004		Tension Spring
32.	11-051067-001		Screw Hex Cap (M8 x 35 mm)
33.	11-430046-000		Bearing - Single Row
34.	11-051743-001		Hex Locknut (M6)
35.	11-051744-001		Hex Locknut (M8)
36.	*47-031058-009		Ball Door Lever w/Bushings
36a.	47-035099-001		Ball Door Lever
36b.	47-034842-004		Bushing
37.	11-051793-004		Split (Cotter) Pin
38.	47-031822-004		Lever
39.	47-034767-004		Tension Spring
40.	11-053477-001		Speed Nut (8 mm)
41.	47-031056-003		Ball Door Key - For Left Hand Ball Door
	47-031055-003		Ball Door Key - For Right Hand Ball Door (Shown)
42.	47-031091-004		Shaft
43.	11-051018-001		Screw Hex. Cap (M6 x 20 mm)
44.	*47-031054-C01		Ball Door
45.	47-033556-009		R.H. Ball Door with Arm - Complete (7 Pin Side) Includes Index Numbers 31 through 43
46.	47-033555-009		L.H. Ball Door with Arm - Complete (10 Pin Side) Includes Index Numbers 31 through 43
47.	47-033557-009		L.H. Door Lock Assembly Includes Index Numbers 1 through 18
48.	47-033558-009		R.H. Door Lock Assembly Includes Index Numbers 1 through 18

* Index Nos. 36 and 44 are inverted for use in both left-hand and right-hand machines.

NXT - Ball Door/Lock Assembly



**View is of 47-033558-009
RH/Even Lane Door Lock Assembly
(7 Pin side)**

**View is of 47-033556-009
RH/Even Lane Ball Door (7 Pin side)**

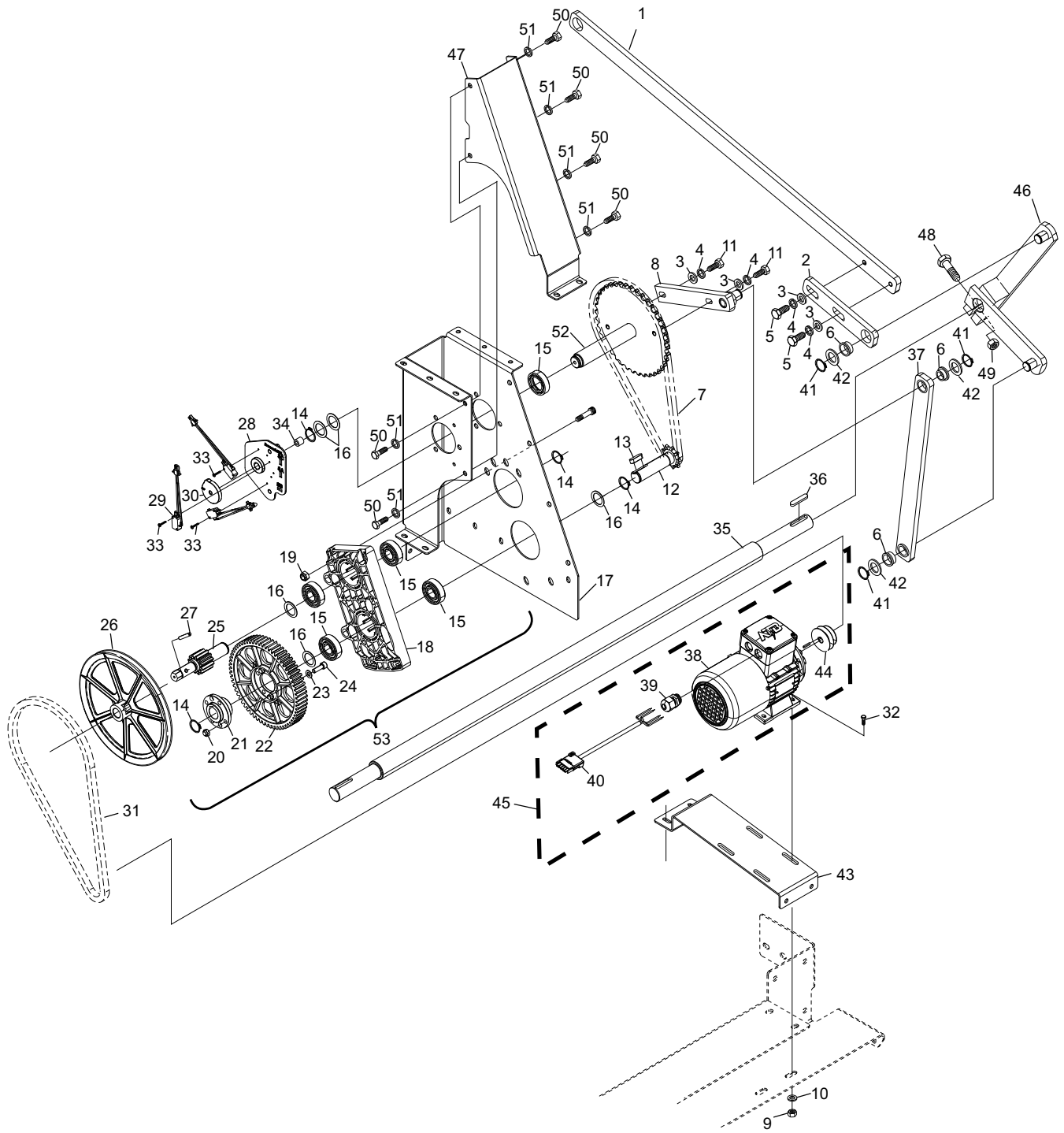
NXT - Ball Door/Lock Assembly

Intentionally Blank Page

Section E
SWEEP

Index No.	Part No.	Package / Order Reference	Description
1.	47-047286-000		Short Drive Link
2.	47-047285-000		Link
3.	11-052028-001		Flat Washer (10 mm)
4.	11-051771-001		Lockwasher (10 mm)
5.	11-051019-001		Hex Head Cap Screw (M10 x 25 mm)
6.	99-010107-004		Bushing for Sweep Lever
7.	47-077439-009		Sweep Drive Chain
8.	47-077352-000		Lever for Gear & Shaft Ass'y
9.	11-051743-001		Locknut (M6)
10.	11-052037-001		Flatwasher (6 mm)
11.	11-051021-001		Hex Head Cap Screw (M10 x 35 mm)
12.	47-076689-009		Sprocket Shaft
13.	11-053511-000		Key
14.	11-051856-000		External Retaining Ring
15.	11-430051-000		Bearing
16.	11-054102-001		Shim Washer
17.	47-077086-000		Housing Sweep Drive
18.	47-075076-001		Drive Assembly Support
19.	11-051745-001		Hex Locknut
20.	11-051744-001		Locknut M6
21.	47-075073-003		Sleeve
22.	47-075072-002		Gearwheel
23.	11-052003-001		Flat Washer M8
24.	11-051533-001		Socket Head Cap Screw (M8 x 25 mm)
25.	47-076764-000		Pinion Shaft
26.	99-070237-002		Pulley
27.	11-052690-001		Spring Pin
28.	47-077315-000		Sweep Cluster Plate
29.	47-077214-000		Micro Switch
30.	47-077213-000		Switch Cam
31.	11-053913-000		V-Belt
32.	11-052610-001		Carriage Bolt (M6 x 20 mm)
33.	11-055152-000		Tapping Screw (K25 x 16 mm)
34.	47-077477-000		Spacer
35.	47-077071-000		Table Link Shaft
36.	11-053495-000		Key
37.	47-047284-000		Short Drive Link
38.	99-076884-000		Motor - only, 230V/380V/400V
	99-076883-000		Motor - only, 208V
39.	11-055081-000		Grommet
40.	47-076896-000		Motor Cable
41.	11-051853-001		External Tooth Retaining Ring (20 mm)
42.	11-052038-001		Washer (21 mm I.D. x 34 mm O.D.)
43.	47-077098-000		Housing Frame
44.	47-077314-000		Pulley
45.	47-076890-400		Sweep Motor w/Cable, (Wired for 380/400V)
	47-076890-230		Sweep Motor w/Cable, (Wired for 230V)
	47-076890-208		Sweep Motor w/Cable, 208V
46.	47-047317-000		Crank for Left Drive Frame
47.	47-077087-000		Cover - Sweep Drive
48.	11-051051-001		Hex Head Cap Screw (M12 x 60 mm)
49.	11-051747-001		Locknut (M12)
50.	11-051038-001		Hex Head Cap Screw (M8 x 16 mm)
51.	11-051770-001		Lockwasher (8 mm)
52.	47-077351-000		Shaft w/gear
53.	47-076731-009		Drive Assembly - Complete

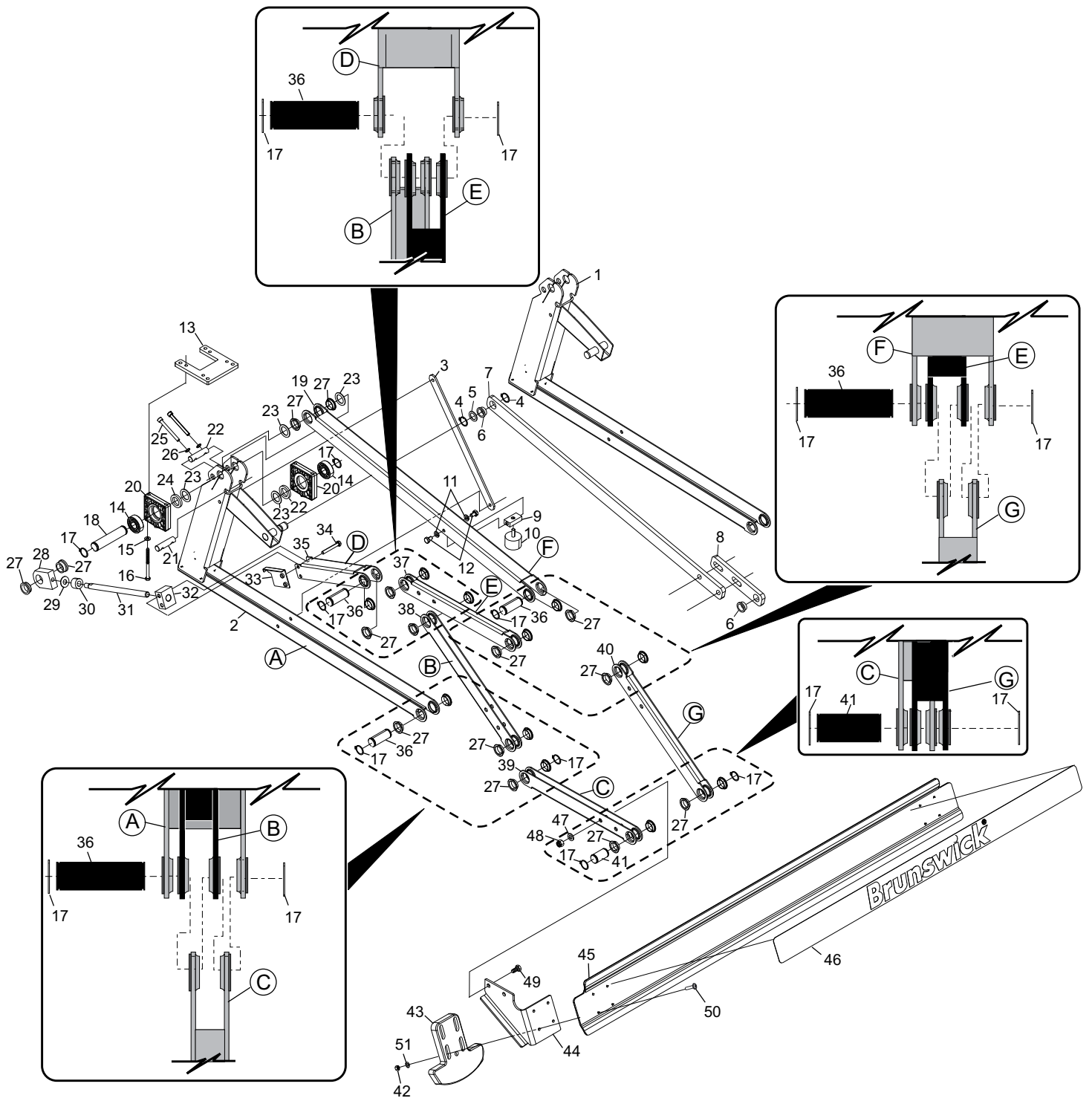
NXT - Sweep Drive



NXT - Sweep Drive

Index No.	Part No.	Package / Order Reference	Description
1.	47-047269-000		Sweep Arm R.H.
2.	47-047270-000		Sweep Arm L.H.
3.	47-047402-000		Reinforcement Strap
4.	11-051853-000		Retaining Ring External Tooth
5.	11-052056-001		Flat Washer
6.	99-010107-004		Plastic Bushing
7.	47-047286-000		Short Drive Link
8.	47-047285-000		Short Drive Link
9.	47-047277-000		Bumper Mount
10.	11-053578-000		Motor Mount
11.	11-051770-001		Lockwasher M8
12.	11-051043-001		Screw Hex. Cap. M8 x 12 mm
13.	47-047276-00		Mounting Plate
14.	11-430051-000		Bearing
15.	11-052003-001		Flat Washer M8
16.	11-051047-001		Screw Hex. Cap (M8 x 100 mm)
17.	11-051856-000		External Tooth Retaining Ring
18.	47-047275-000		Shaft
19.	47-047265-000		Sweep Lower Arm
20.	47-085348-003		Bearing Block
21.	47-047422-000		Barrel Nut
22.	47-047421-000		Barrel Nut Threaded
23.	11-054102-001		Shim Washer
24.	47-096620-000		Spacer Ring
25.	11-051577-001		Socket Head Cap Screw - (M5 X 0.8 X 10.0 mm)
26.	11-051770-001		Lock Washer
27.	99-047324-000		Plastic Bushing
28.	47-047268-000		Pivot Block
29.	11-052024-001		Flat Washer (M10)
30.	47-046451-000		Rod Bumper
31.	47-046450-000		Rod
32.	47-047267-000		Bumper Mount
33.	47-047384-000		Sweep Down Bracket
34.	11-051054-001		Screw Hex. Cap (M8 x 60 mm)
35.	47-047266-000		Lower Arm
36.	47-047278-000		Shaft
37.	47-047264-000		Short Arm
38.	47-047264-000		Short Arm
39.	47-047264-000		Short Arm
40.	47-047264-000		Short Arm
41.	47-047279-000		Short Shaft
42.	11-051743-001		(M6) Hex Nut
43.	47-041721-002		Gutter Adapter
44.	47-047282-000		Board Mount
45.	47-047453-000		Sweep Board
46.	47-046843-002		Sweep Board Decal (NXT)
47.	11-052018-001		Flat Washer
48.	11-051745-001		(M10) Locknut
49.	11-051019-001		Hex Head Cap Screw (M10 x 25 mm)
50.	11-055302-000		Button Head Cap Screw w/Flange (M6 x 25 mm)
51.	11-052037-001		Flat Washer

NXT - Sweep Assembly



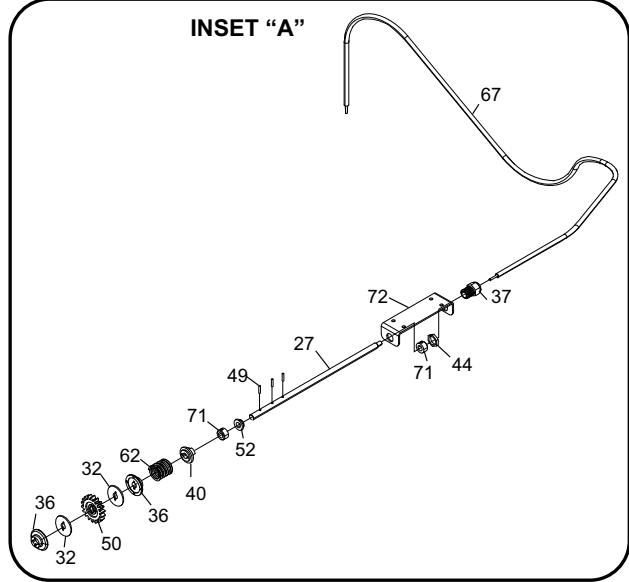
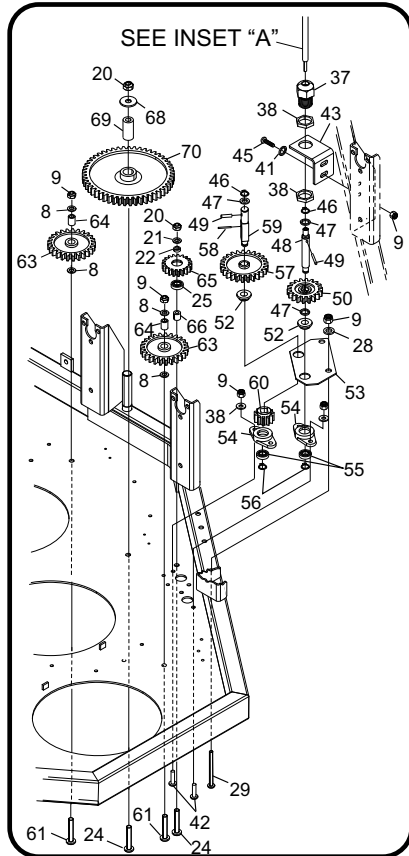
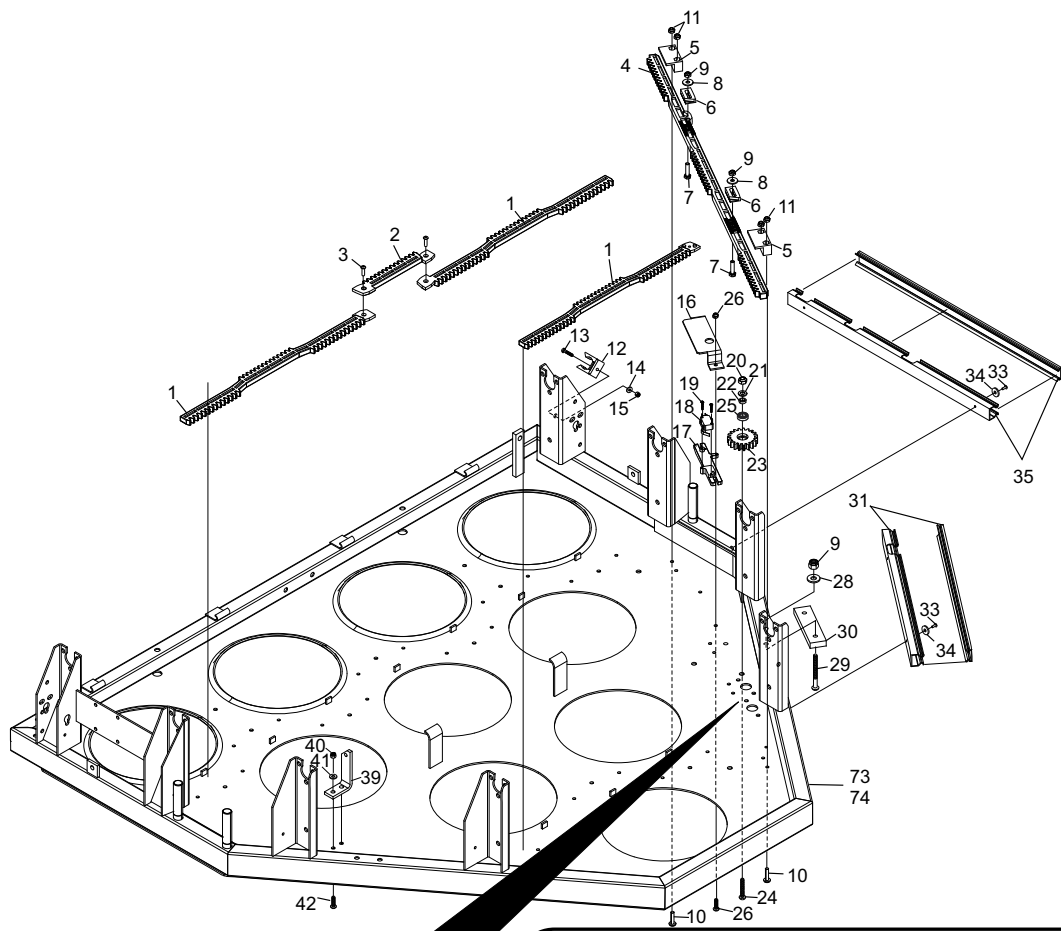
NXT - Sweep Assembly

Intentionally Blank Page

Section F
SETTING TABLE

Index No.	Part No.	Package / Order Reference	Description
1.	47-051565-002		Toothed Rack (front)
2.	47-051566-003		Toothed Rack (short)
3.	11-050301-000		Rivet
4.	47-051635-001		Geared Rack
5.	47-051634-004		Holder
6.	47-051682-004		Stop
7.	11-051028-001		Screw Hex. Cap. (M6 x 25 mm)
8.	11-052037-001		Flat Washer (6.4 mm)
9.	11-051743-001		Hex Locknut (M6)
10.	11-053781-001		Screw Pan Head (M5 x 20 mm)
11.	11-051742-001		Hex Nut
12.	47-054279-004		Conduit Clamp
13.	11-052209-001		Std. Pan Hd. Machine Screw (4 mm x 16 mm)
14.	11-052021-001		Flat Washer (4.3 mm)
15.	11-051741-001		Locknut (M4)
16.	47-053812-004		Switch Protector
17.	99-050330-003		Switch Support
18.	99-050325-004		Switch
19.	11-055152-001		Screw
20.	11-051744-001		Locknut (M8)
21.	11-052017-001		Flat Washer (M8)
22.	47-052022-004		Spacer
23.	47-246557-000		Spur Gear
24.	11-053779-001		Pan Head Screw (M8 x 45 mm)
25.	11-430046-000		Bearing
26.	11-053783-001		Pan Head Screw (M4 x 16 mm)
27.	47-077079-000		Shaft
28.	11-052048-001		Flat Washer
29.	11-053782-001		Pan Head Screw (M6 x 70 mm)
30.	47-057434-000		Bumper
31.	47-055169-000		Cable Channel Cover
32.	47-071864-004		Clutch Disc
33.	11-053660-000		Rivet
34.	11-052062-001		Flat Washer (M10)
35.	47-055170-000		Cable Channel Cover
36.	47-071863-004		Spring Retainer
37.	11-055081-000		Strain Relief
38.	11-052082-000		Nut
39.	47-055347-004		Spring Holder
40.	47-071869-003		Spring Retainer
41.	11-052008-001		Flat Washer (M6)
42.	11-053778-001		Pan Head Screw (M6 x 16 mm)
43.	47-077338-000		Bracket For Square Shaft Assemblies
44.	11-055082-000		Nylon Nut
45.	11-051018-001		Screw (M6 x 20 mm)
46.	11-051851-000		Ring - Retaining, External
47.	11-052001-001		Spacer
48.	47-077078-000		Tong Shaft
49.	11-052688-001		Spring Pin
50.	47-071862-004		Gear
51.	11-052001-001		Flat Washer M10
52.	99-056863-001		Bushing
53.	47-077082-000		Tong Drive Mounting Plate
54.	47-051625-004		Square Shaft Support
55.	11-430048-000		Bearing
56.	11-051855-002		External Tooth Retaining Ring
57.	47-246557-000		Gear
58.	11-052685-000		Pin
59.	47-077081-000		Shaft
60.	47-071615-004		Square Shaft Gear
61.	11-053780-001		Pan Head Screw M6 x 25 mm
62.	47-071868-004		Spring
63.	47-051632-004		Gear
64.	47-051633-004		Bushing
65.	47-052020-000		Gear
66.	47-052021-004		Spacer
67.	47-077076-000		Cable
68.	11-052019-001		Flat Washer
69.	47-051617-004		Spacer
70.	47-051616-004		Gear
71.	11-053623-001		Collar
72.	47-077080-000		For Square Shaft Assemblies
73.	47-056848-000		Setting Table - Weldment Frame Only
74.	47-056726-009		Setting Table Assembly - Complete

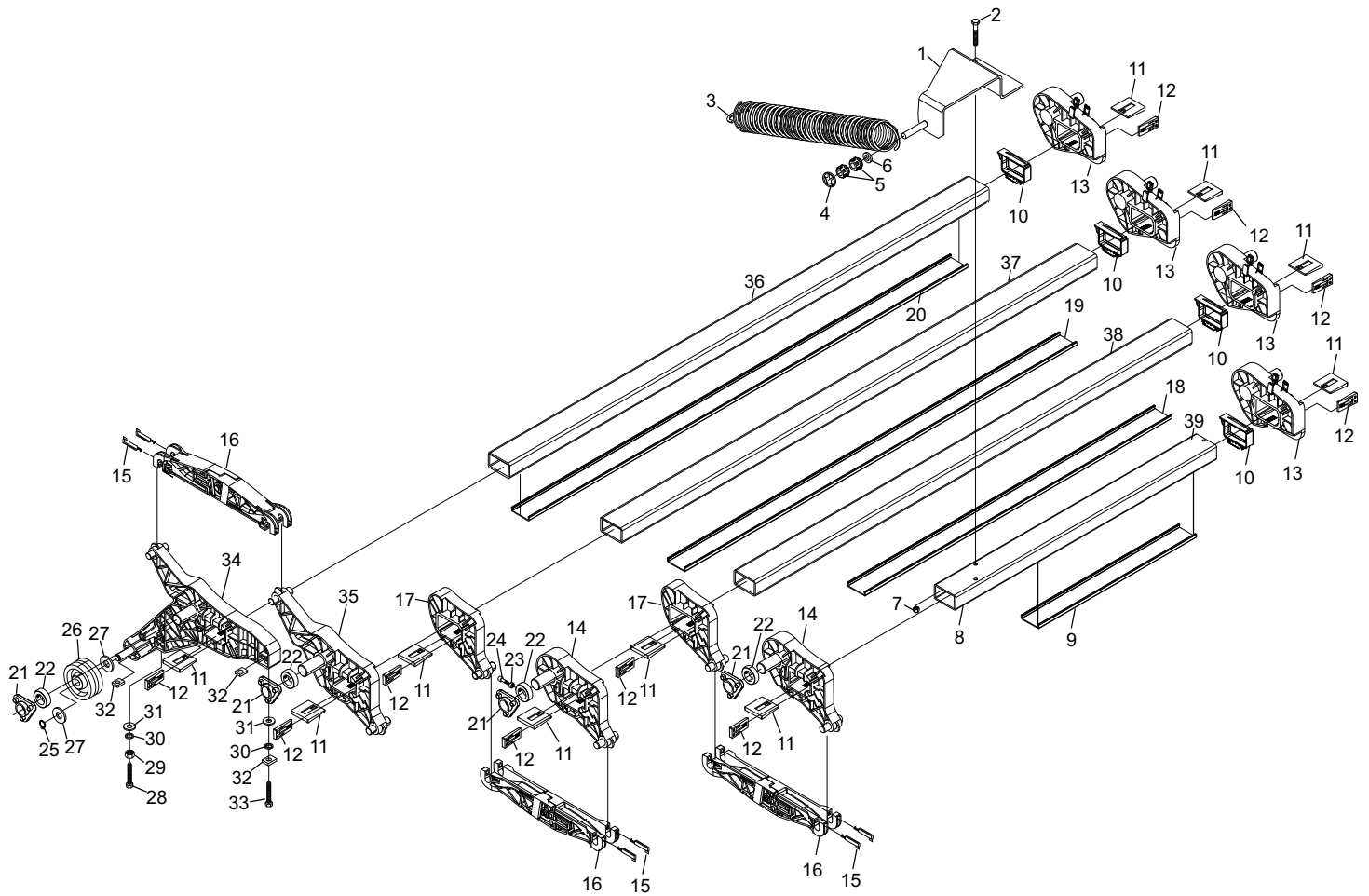
NXT - Setting Table and Gears



NXT - Setting Table and Gears

Index No.	Part No.	Package / Order Reference	Description
1.	47-055337-003		Spring Bracket
2.	11-051007-001		Hex Hd. Cap Screw (6 mm x 40 mm)
3.	47-052240-004		Spring
4.	11-053480-001		Speed Nut
5.	47-041813-004		Bushing
6.	47-071162-004		Spacer Bushing
7.	11-051743-001		Locknut (M6)
8.	47-055315-004		Swing Shaft - Square Tube 1
9.	47-055329-004		Cable Cover 1
10.	47-055327-001		Cable Support
11.	47-055320-003		Plastic Wedge Large
12.	47-055319-003		Plastic Wedge Small
13.	47-054993-000		Swing Arm 5
14.	47-054991-001		Swing Arm 1
15.	47-054997-003		Clip
16.	47-055002-002		Link Assembly - Swing Shaft
17.	47-054992-002		Swing Arm 2
18.	47-055330-004		Cable Cover 2
19.	47-055331-004		Cable Cover 3
20.	47-055332-004		Cable Cover 4
21.	46-050305-004		Shaft Holder
22.	47-055009-004		Collar
23.	11-051701-001		Hex Nut (M5)
24.	11-051522-001		Socket Hd. Cap Screw (M5 x 16 mm)
25.	11-051851-000		Ring - Retaining, External, 20mm
26.	47-051295-004		Roller
27.	11-052024-001		Flat Washer
28.	11-051054-001		Hex Head Cap Screw (M8 x 60 mm)
29.	11-051704-001		Hex Nut (M8)
30.	11-051770-001		Lockwasher
31.	11-052003-001		Flat Washer (M8)
32.	11-055900-001		Square Nut (M8)
33.	11-051026-001		Hex Head Cap Screw (M8 x 40 mm)
34.	47-054989-001		Swing Arm 4
35.	47-054990-001		Swing Arm 3
36.	47-055353-004		Square Tube 4 - Tube Only (Pins 7-10)
	47-055326-002		Square Tube 4 Assembly- Complete (Pins 7-10) Includes index numbers 11-13,21,22,and 25-34
37.	47-055325-004		Square Tube 3 - Tube Only (Pins 4-6)
	47-055324-002		Square Tube 3 Assembly - Complete (Pins 4-6) Includes index numbers 11-13,17, and 35
38.	47-055317-004		Square Tube 2 - Tube Only (Pins 2-3)
	47-055318-002		Square Tube 2 Assembly - Complete (Pins 2-3) Includes index numbers 11-14, and 17
39.	47-055315-004		Square Tube 1 - Tube Only (Pin 1)
	47-055316-002		Square Tube 1 - Assembly - Complete (Pin 1) Includes index numbers 11-14

NXT - Setting Table Swing Shafts

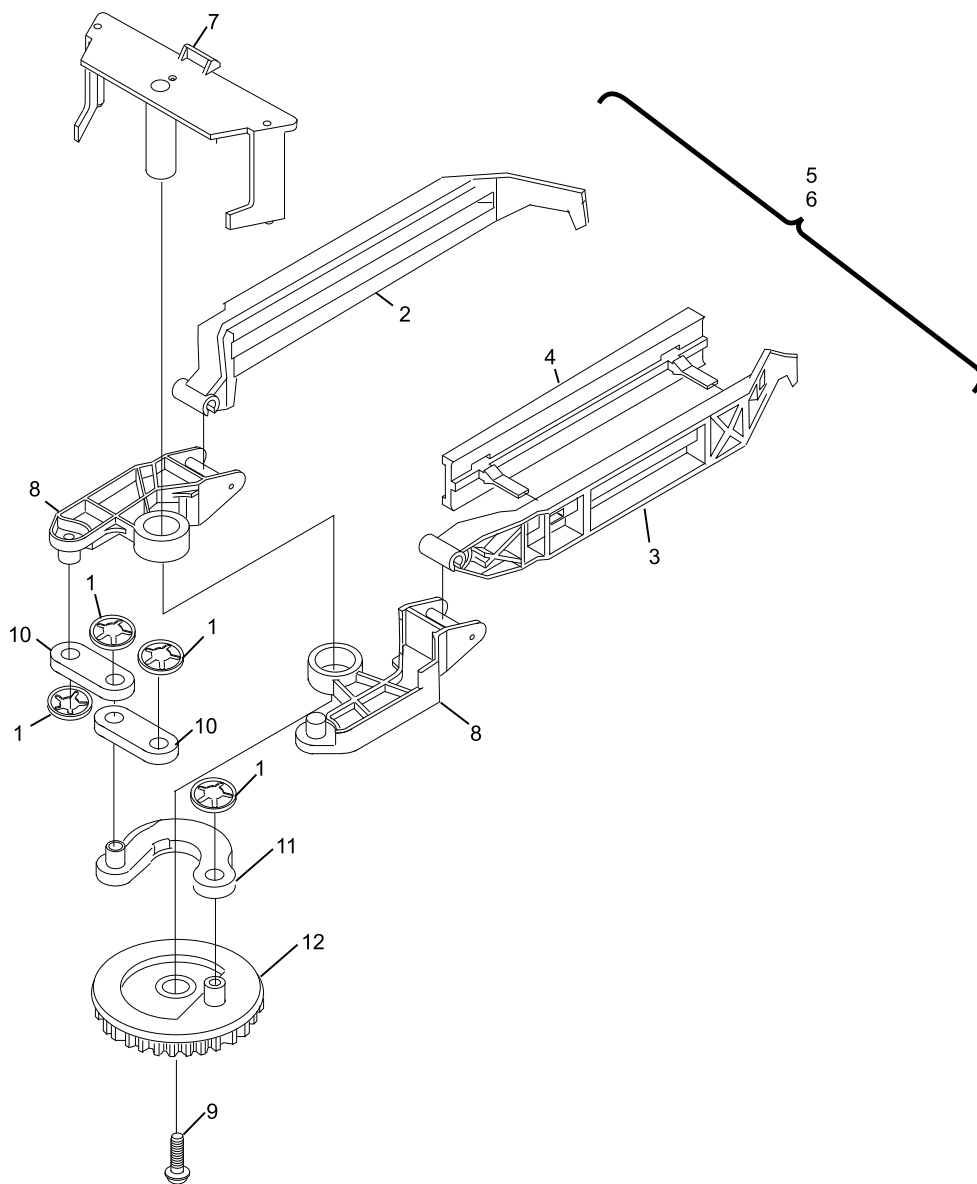


NXT - Setting Table Swing Shafts

Index No.	Part No.	Package / Order Reference	Description
1.	11-053478-001 47-861050-000	R.O.	Speed Nut (8 mm)
2.	47-054896-002		Speed Nut (8 mm) Pkg. of 10
3.	47-055148-002		R.H. Tong
4.	47-051770-600		L.H. Tong
5.	47-055117-009		Double Damper - Standard Pkg. of 10
6.	47-055118-009		Spotting Tong - Complete Assembly (Location 1, 4, 5, and 6)
7.	47-054902-002		Spotting Tong - Complete Assembly (Location 2, 3, 7, 8, 9, and 10)
8.	47-054898-003 47-054897-003		Deck Plate
9.	11-054459-000		Spotting Tong Pivot (Locations 1, 4, 5 and 6)
10.	47-051762-004		Spotting Tong Pivot (Locations 2, 3, 7, 8 and 9) - 10 shown
11.	47-054900-003 47-054901-003		Self Tapping, Torx Screw (M60 x 16 mm)
12.	47-054899-003		Connecting Link
			Lever (locations 1, 4, 5, 6)
			Lever (locations 2, 3, 7, 8, 9) - 10 shown
			Gear

R.O. = Replacement Option

NXT - Spotting Tong Assemblies

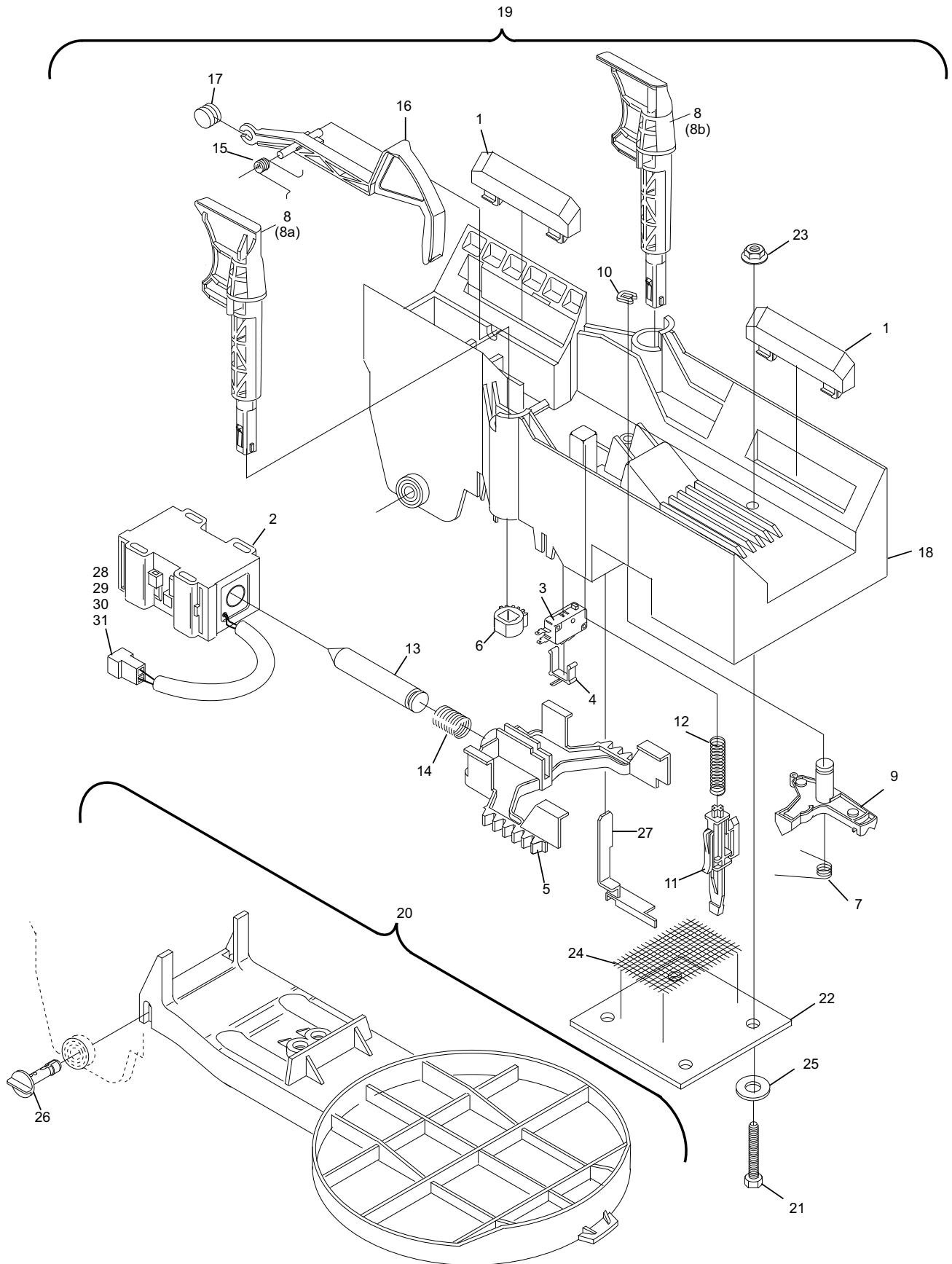


NXT - Spotting Tong Assemblies

Index No.	Part No.	Package / Order Reference	Description
1.	47-050308-004		Damper
2.	99-060351-004		Solenoid - Only
3.	47-055323-004		Micro Switch
4.	47-055001-004		Clip (Micro Switch)
5.	47-054983-002		Drive
6.	47-054984-004		Gear
7.	47-055006-004		Torsion Spring
8.	47-277156-000		Pin Gripper Pkg - Includes index numbers 8a and 8b
8a.	47-057532-009		Pin Gripper - Left Hand
8b.	47-057533-009		Pin Gripper - Right Hand
9.	47-054985-001		Switch Lever
10.	47-054986-004		Grip Ring C-Clip
11.	47-054988-003		Switch Button
12.	47-055008-004		Tension Spring
13.	47-057534-000		Solenoid Plunger - Without O-ring groove
14.	47-054987-004		Solenoid Spring
15.	47-055005-004		Tension Spring - Switch Finger
16.	47-054982-002		Switch Finger
17.	47-052124-004		Counter Weight
18.	47-054980-001		Pin Holder Housing - Only
	47-054980-201	R.O.	Pin Holder w/Damper
19.	47-057535-009		Pin Holder Assembly Complete - does not include index numbers 21, 22, 23, 25, 28, 29, 30, 31,32.
20.	47-054298-001		Pin Detector Plate w/Pin
21.	11-051014-001		Hex Hd. Cap Screw (6 mm x 45 mm)
22.	47-055003-004		Mount Plate
23.	11-055500-001		Hex Nut (6 mm)
24.	47-055785-004		Steel Mesh
25.	11-055961-001		Washer
	47-861040-001	R.O.	Washer (6.1 mm) Pkg. of 10
26.	47-860005-000		Pivot Pin (Pkg. of 10)
27.	47-055328-003		"L" Clip - Wire Management
28.	11-680206-000		Connector - Male (4 pos)
29.	11-680302-000	.	Terminal - Male
	57-860032-000	R.O.	Terminal - Male (Pkg. of 10)
30.	11-680301-000	.	Terminal - Female
	57-860031-000	R.O.	Terminal - Female (Pkg. of 20)
31.	11-680118-000		Connector - Switch (4 pos)

R.O. = Replacement Option

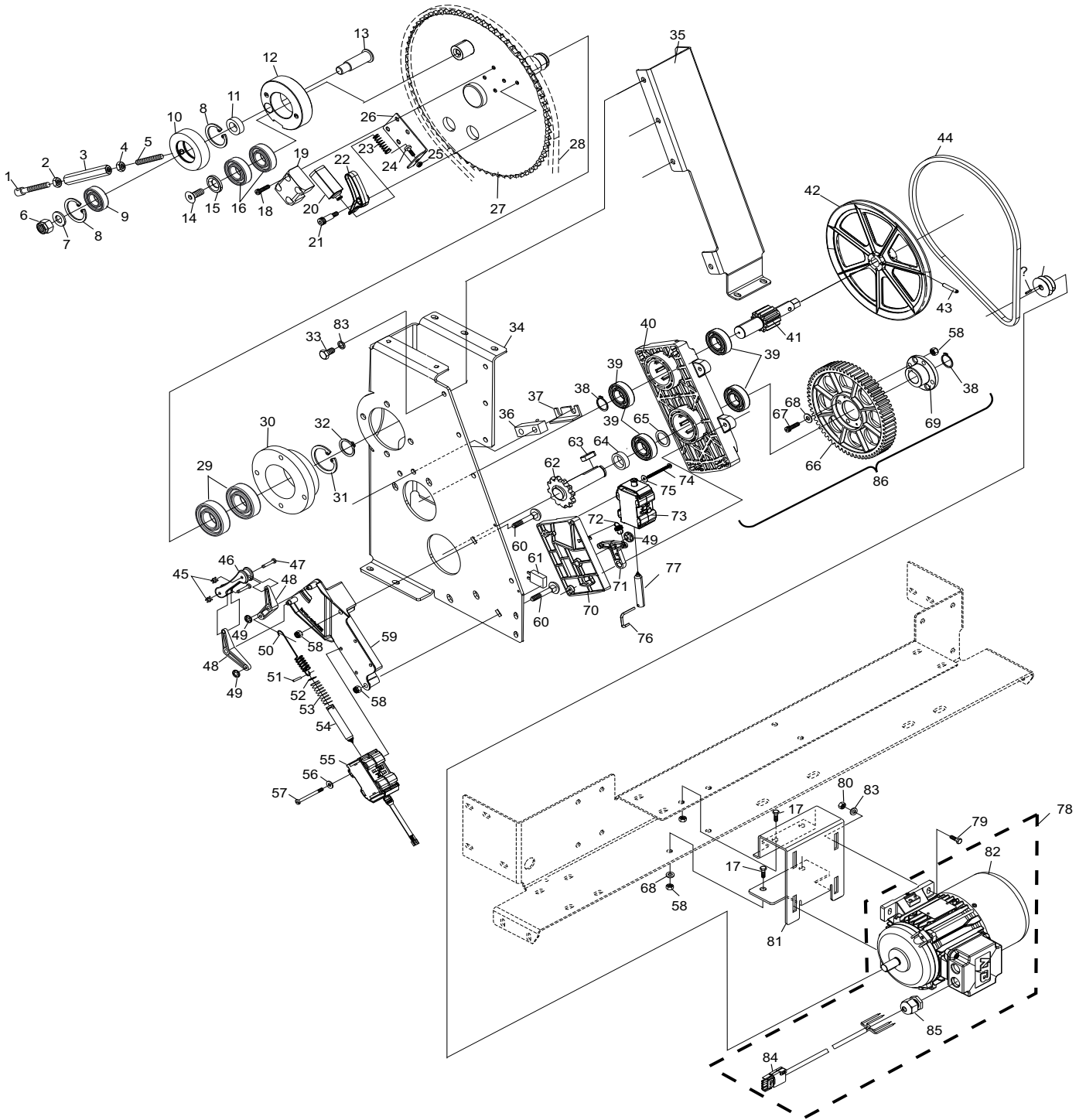
NXT - Pin Holder Assembly



NXT - Pin Holder Assembly

Index No.	Part No.	Package / Order Reference	Description
1.	47-077414-000		Table Chain Adjustment Rod
2.	11-053127-001		Hex Nut
3.	47-077415-000		Chain Mount
4.	47-077323-000		Stud (10 mm)
5.	11-053153-001		Hex Jam Nut
6.	11-051748-001		Locknut (M6)
7.	11-052027-001		Flat Washer (M16)
8.	11-051901-000		Retaining Ring
9.	11-430059-000		Bearing 20 Bore x 47 O.D. x 14 mm Wide
10.	47-077318-000		Table Bearing Holder
11.	47-077205-000		Table Crank Stud Spacer
12.	47-077201-000		Table Crank Disc
13.	47-077202-000		Stud Dual Stroke
14.	11-052960-000		Screw Socket Flat Hd.
15.	47-077419-000		Flat Head Retainer
16.	11-430058-000		Bearing - (30 mm I.D. x 55 mm O.D. x 13 mm)
17.	11-051015-001		Hex Head Cap Screw (M8 x 25 mm)
18.	11-051541-001		Socket Hd. Cap Screw - (M5 x 0.8 x 10.0 mm)
19.	47-077207-000		Lock Bolt Mounting Block
20.	47-077206-000		Lock Bolt
21.	11-056103-000		Shoulder Bolt (M10 x 30 mm)
22.	47-077209-000		Table Crank Lock Lever
23.	47-077433-000		Spring
24.	11-052361-001		Slotted Pan Head Machine Screw (M5 x 12 mm)
25.	11-051742-001		Hex Locknut
26.	47-077208-000		Lock Bolt Spring Holder
27.	47-077842-000		Drive Sprocket
28.	47-077085-009		Chain
29.	11-430057-000		Bearing
30.	47-077375-000		40 mm Bearing Holder
31.	11-051905-000		Internal Tooth Retaining Ring
32.	11-430057-000		External Tooth Retaining Ring
33.	11-051036-001		Hex Head Cap Screw (M8 x 16 mm)
34.	47-077088-000		Drive Enclosure
35.	47-077089-000		Drive Cover
36.	47-076553-000		Table Push Pull Block
37.	47-077431-000		Block Holder
38.	11-051856-000		Ring - Retaining, External
39.	11-430051-000		Bearing
40.	47-075076-001		Support for Drive Assembly
41.	47-076764-000		Pinion Shaft
42.	99-070237-002		Pulley
43.	11-052690-001		Spring Pin
44.	11-053913-000		V-Belt
45.	11-230000-001		X-Washer
46.	47-077210-000		Table Lock Cam
47.	12-100166-005		X-Washer Pin
48.	47-031802-004		Lever for Ball Accelerator
49.	11-053478-000		Speed Nut
50.	47-077256-000		Spring
51.	47-077255-000		Pin
52.	11-051857-000		External Retaining Ring
53.	47-077218-000		Spring
54.	99-077254-000		Plunger
55.	99-077252-000		Solenoid
56.	11-052020-001		Flat Washer
57.	11-052355-001		Slotted Pan Head Machine Screw (M5 x 55 mm)
58.	11-051744-001		Hex Locknut
59.	47-077211-000		Table Lock Bracket
60.	11-052603-001		Carriage Bolt
61.	47-225160-004		Frame Counter
62.	47-071823-004		Sprocket Shaft
63.	11-053511-000		Key
64.	47-071706-004		Spacer Ring
65.	11-054102-001		Shim Washer
66.	47-075072-002		Gear Wheel
67.	11-051533-001		Socket Head Cap Screw (M3 x 30 mm)
68.	11-052003-001		Flat Washer
69.	47-075073-003		Sleeve for Drive Gear
70.	47-075128-002		Solenoid Holder
71.	47-075130-003		Pivot Lever Plate
72.	47-071866-004		Spring
73.	99-070356-004		Solenoid
74.	11-054776-001		Pan Head Screw (M5 x 60 mm)
75.	11-052039-001		Flat Washer (M10)
76.	47-071865-004		Connecting Link
77.	99-060133-004		Plunger
78.	47-076889-400		Motor Assembly with cable, (Wired for 380/400V)
	47-076889-230		Motor Assembly with cable, (Wired for 230V)
	47-076889-208		Motor Assembly with cable, (Wired for 200V)
79.	11-052610-001		Carriage Bolt (M6 x 20 mm)
80.	11-051743-001		Locknut
81.	47-077321-000		Mount
82.	99-076882-000		Motor Only, 230V/380V/400V
	99-076881-000		Motor Only, 208V
83.	11-052037-001		Washer
84.	47-076897-000		Cable Table Motor
85.	11-055081-000		Wire Grommet
86.	47-076855-009		Drive Assembly - Complete w/bearings and Shaft
87.	47-077215-009		Table Drive Switch Cluster

NXT - Setting Table Drive



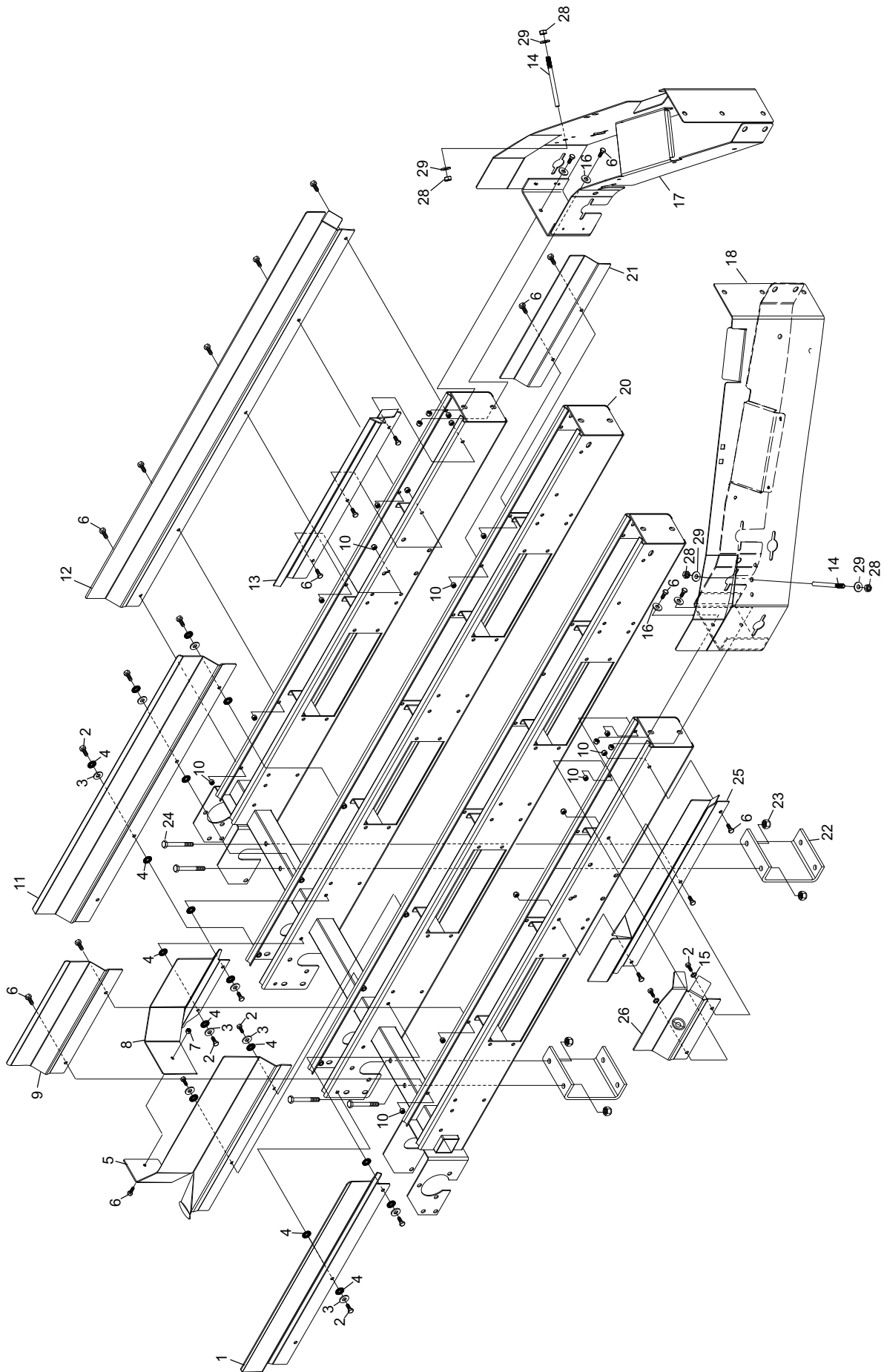
NXT - Setting Table Drive

Intentionally Blank Page

Section G
DISTRIBUTOR

Index No.	Part No.	Package / Order Reference	Description
1.	47-096603-000		Distributor Guide
2.	11-051035-001		Hex Head Cap Screw (M6 x 16 mm)
3.	11-052048-000		Flat Washer (M10)
4.	47-094232-004		Flat Washer Rubber
5.	47-096604-000		Left Guide Distributor
6.	11-051001-000		Hex Head Cap Screw (M6 x 12 mm)
7.	11-051743-000		Locknut (M6)
8.	47-906605-000		Left Guide Distributor
9.	47-096595-000		Guide Distributor
10.	11-051743-001		Locknut (M6)
11.	47-096602-000		Guide Distributor
12.	47-096583-000		Guide Plate (for rail 4 rear right) Distributor Frame
13.	47-096582-000		Guide
14.	47-097700-000		Transitional Guide Wire
15.	11-051769-000		Lockwasher
16.	11-052006-001		Flat Washer (M10)
17.	47-096473-000		R.H. Angled Corner Assembly
18.	47-096470-000		L.H. Angled Corner Assembly
19.	47-096612-000		L.H. Pin Ramp
20.	47-096447-000		Main Distributor Assembly
21.	47-096581-000		Distributor Guide
22.	47-096509-000		Beam for Distributor
23.	11-051744-000		Locknut (M8)
24.	11-051055.001		Hex Head Cap Screw (M8 x 60 mm)
25.	47-096585-000		Guide Plate for rail 1 front Left
26.	47-096584-000		Guide Plate for rail 1 front right
27.	11-151769-000		Lockwasher
28.	11-051074-000		Locknut (M8)
29.	11-052006-000		Flat Washer

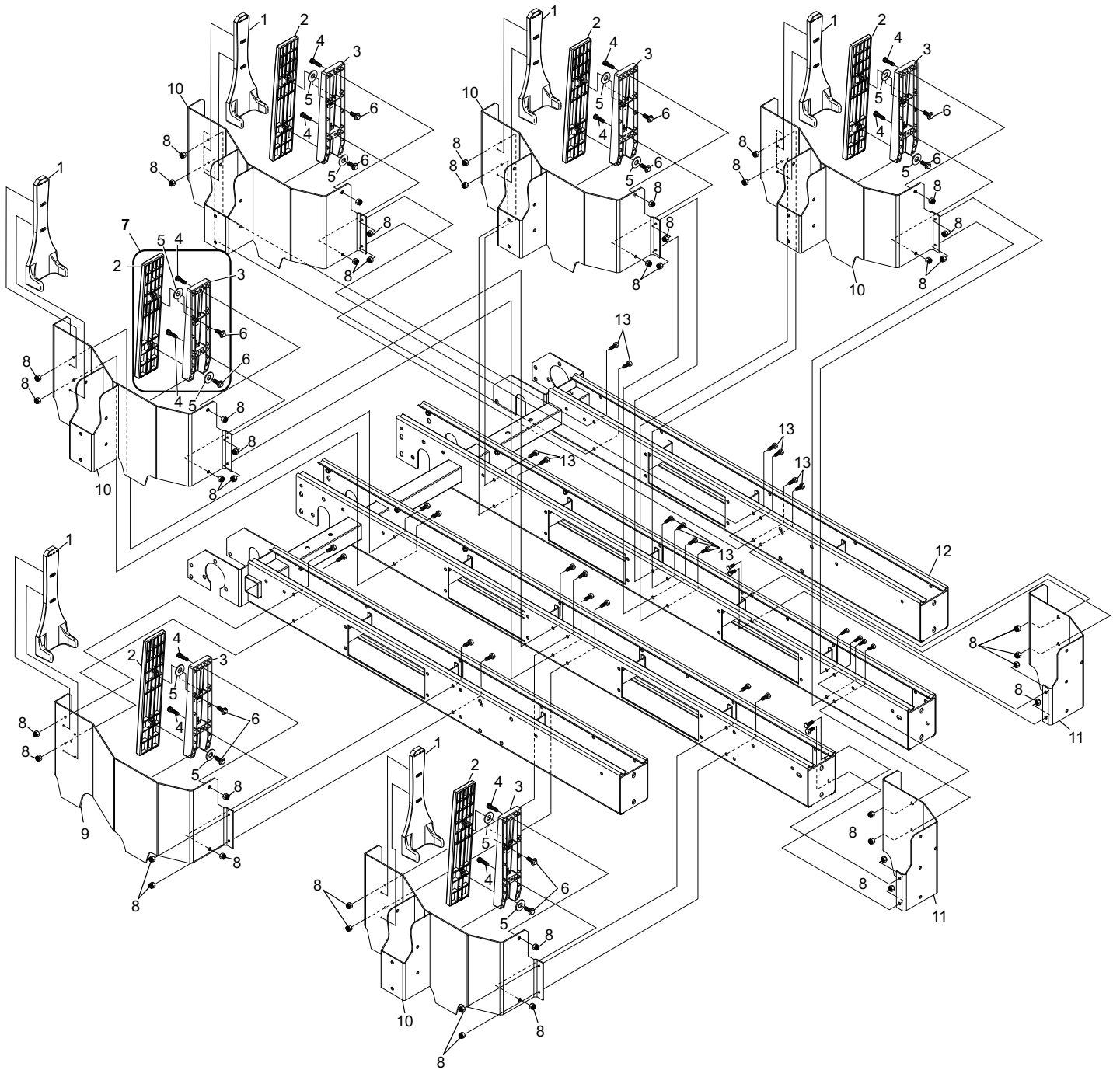
NXT - Distributor Rails (14 Shovel Elevator)



NXT - Distributor Rails (14 Shovel Elevator)

Index No.	Part No.	Package / Order Reference	Description
1.	47-097417-000		Distributor Guide
2.	47-095609-002		Slider for Slider Assembly
3.	47-091277-002		Slider Mount
4.	11-051520-001		Socket Head Cap Screw (M6 x 20 mm)
5.	11-052019-001		Flat Washer (M10)
6.	11-054449-001		Self Tap Screw
7.	47-091284-002		Assembly - Slider
8.	11-051743-001		Locknut (M6)
9.	47-093760-002		Assembly - Distributor Station I (Pin 7)
10.	47-091890-002		Assembly - Distributor Station II (Pins 2,3,4,5,8,9,10)
11.	47-092211-002		Assembly - Distributor Station (Pins 1,6)
12.	47-096447-009		Distributor Main Frame
13.	11-051001-000		Hex Head Cap Screw (M6 x 12 mm)

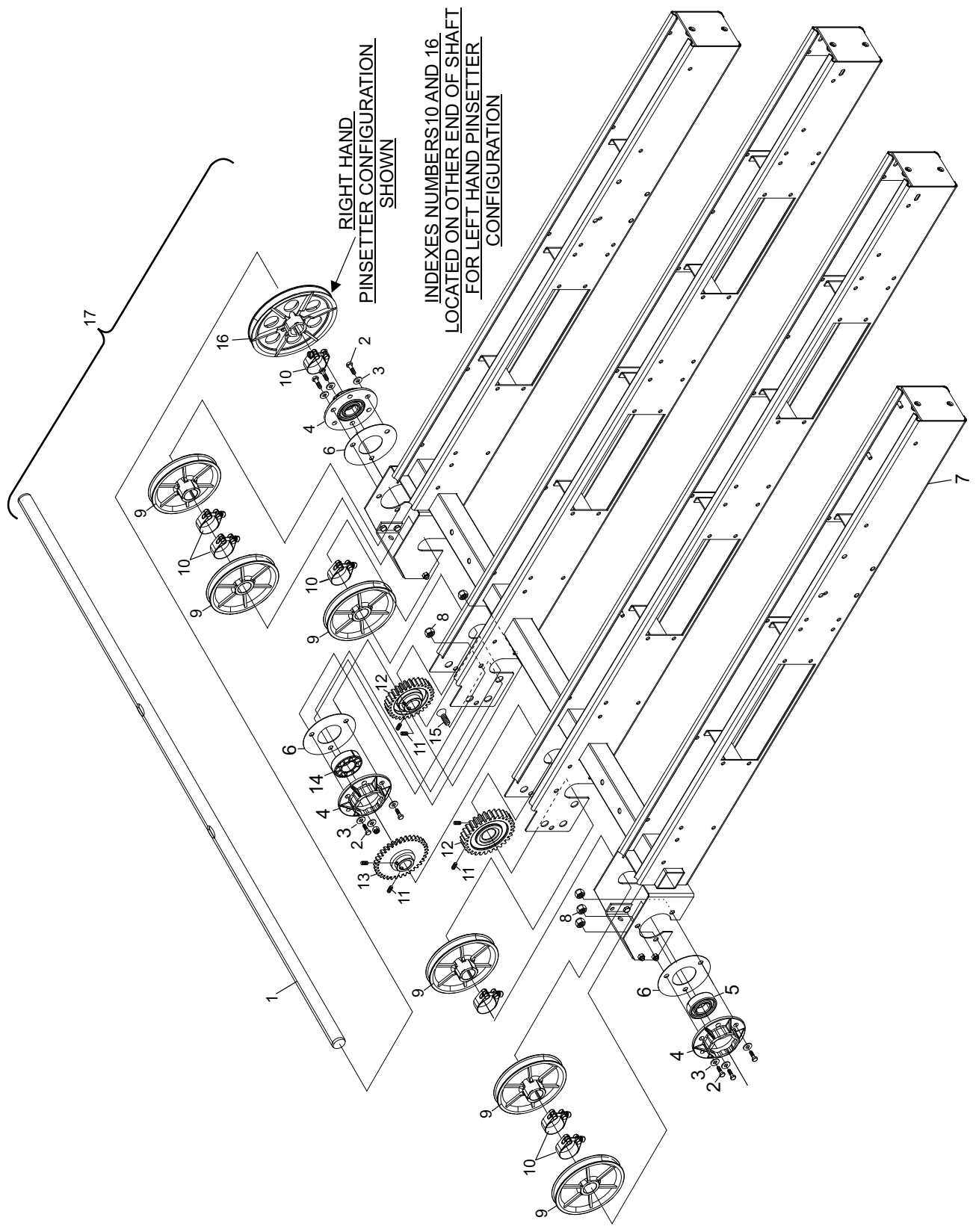
NXT - Distributor Pin Guides (14 Shovel ElevatorI)



NXT - Distributor Pin Guides (14 Shovel Elevator)

Index No.	Part No.	Package / Order Reference	Description
1.	47-096573-000		Rear Pulley Shaft
2.	11-051010-001		Hex Head Cap Screw (M8 x 20 mm)
3.	11-052006-001		Flat Washer
4.	47-094346-003		Shell
5.	11-430000-000		Bearing
6.	47-094351-003		Washer - Special
7.	47-096447-009		Distributor Main Frame
8.	11-051744-001		Locknut (M6)
9.	47-093863-003		Pulley Round Belt
10.	47-093874-004		Clamp
11.	11-053101-000		Set Screw
12.	47-097689-000		Gear
13.	47-093900-003		Gear For Shark
14.	47-095050-003		Ring - Distributor
15.	11-052957-001		Socket Head Cap Screw (M8 x 18 mm)
16.	47-024839-002		T- Band Pulley - Round Belt
17.	47-096574-009		Rear Shaft Assembly - Complete

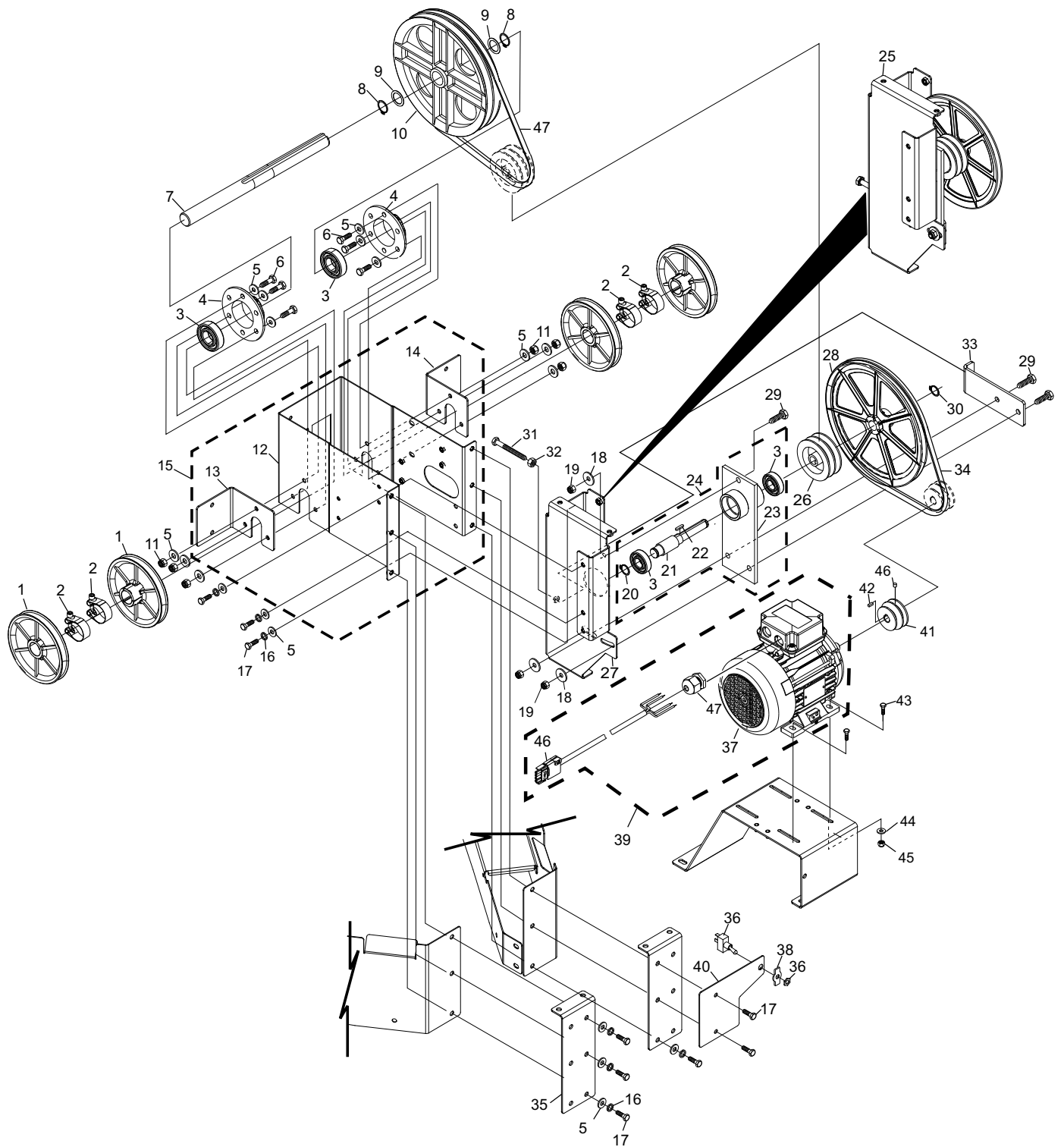
NXT - Distributor Rear Shaft (14 Shovel Elevator)



NXT - Distributor Rear Shaft (14 Shovel Elevator)

Index No.	Part No.	Package / Order Reference	Description
1.	47-093863-003		Round Belt Pulley
2.	47-093874-004		Clamp
3.	11-430051-000		Bearing
4.	47-094347-000		Shell
5.	11-052006-001		Flat Washer
6.	11-051015-001		Hex Head Cap Screw
7.	47-096460-000		Shaft
8.	11-051856-000		Retaining Ring
9.	11-054102-000		Shim Washer
10.	47-090989-002		Drive Wheel
11.	11-051744-001		Locknut
12.	47-906457-000		Gear Housing
13.	47-096455-000		Support LH
14.	47-096456-000		Support RH
15.	47-096458-000		Gear Housing Assembly
16.	11-151770-001		Lockwasher
17.	11-051010-001		Hex Head Cap Screw
18.	11-052050-001		Flat Washer
19.	11-051745-001		Locknut
20.	11-051853-000		Retaining Ring External Tooth (20 mm)
21.	11-070340-003		Distributor Drive Shaft
22.	11-053501-000		Key
23.	47-077654-000		Assembly Distributor Drive Bearing Holder
24.	47-077653-009		Bearing Plate, Shaft Distributor Drive
25.	47-096412-009		Assembly Distributor Drive
26.	47-070990-003		Double Pulley
27.	47-096815-000		Bracket Distributor Assembly
28.	99-070162-002		Pulley
29.	11-051045-001		Hex Head Screw (M10 x 30)
30.	11-051852-000		Retaining Ring External Tooth (17 mm)
31.	11-051046-001		Hex Head Cap Screw (M10 x 80 mm)
32.	11-051703-001		Hex Nut (M10)
33.	47-077656-000		Tensioner Bracket
34.	11-051913-000		V-Belt
35.	47-097691-000		Distributor to Cross Member Mount
36.	11-615511-000		Switch and Nut
37.	99-076880-000		Motor Only, 230V/380V/400V
	99-076879-000		Motor Only, 208V
38.	11-616602-000		Switch Plate
39.	47-076888-230		Motor Assembly with cable (Wired for 230V)
	47-076888-400		Motor Assembly with cable (Wired for 380/400V)
	47-076888-208		Motor Assembly with cable (Wired for 208V)
40.	47-247566-000		Run/Stop Switch Bracket
41.	47-077698-000		Pulley
42.	99-076886-004		Key
43.	11-052037-001		Carriage Bolt (M6 x 20 mm)
44.	11-053037-001		Flat Washer
45.	11-051743-001		Locknut
46.	11-053100-000		Set Screw
47.	11-051915-000		V-Belt

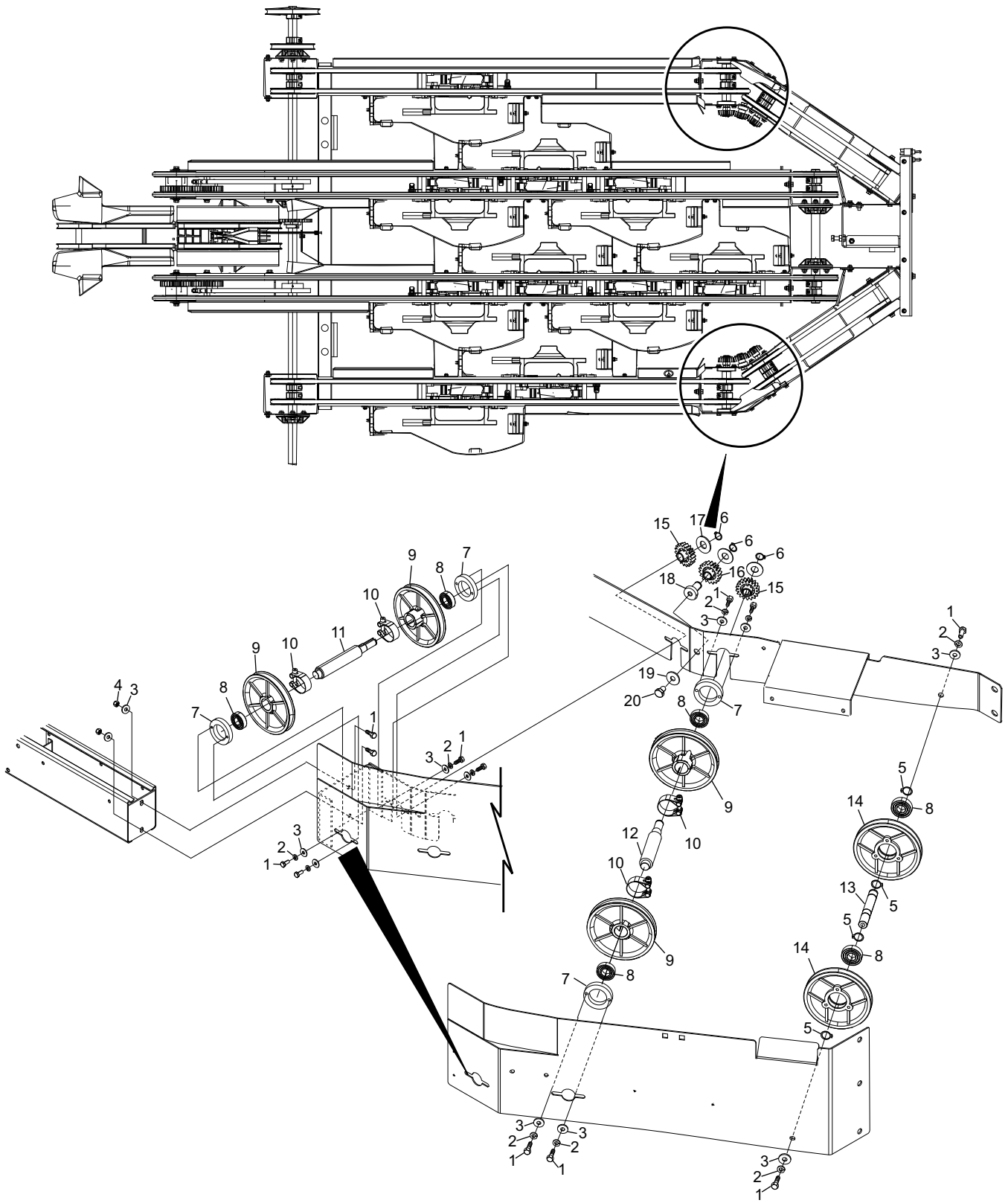
NXT - Distributor Drive (14 Shovel Elevator)



NXT - Distributor Drive (14 Shovel Elevator)

Index No.	Part No.	Package / Order Reference	Description
1.	11-051010-001		Screw Hex Head. Cap (M8 X 20 mm)
2.	11-051770-001		Lock Washer (M8)
3.	11-052006-001		Flat Washer (M8)
4.	11-051744-001		Locknut (M8)
5.	11-051852-000		Retaining Ring - External
6.	11-051858.-000		Retaining Ring - External
7.	46-090494-004		Steel Ring
8.	11-430028-000		Bearing
9.	47-093863-000		Round belt Pulley
10.	47-093874-004		Clamp
11.	47-096475-000		Shaft
12.	47-093883-004		Shaft
13.	47-096508-000		Shaft
14.	47-092415-003		Round Belt Pulley
15.	47-090555-003		Spur Gear
16.	47-093629-003		Spur Gear w/Insert
17.	11-052000-000		Flat Washer (M10)
18.	47-090553-004		Intermediate Shaft
19.	11-052050-001		Flat Washer (M10)
20.	11-051037-001		Hex Head Cap Screw (M10 X 16 mm)

NXT - Distributor Corners



NXT - Distributor Corners

Index No.	Part No.	Package / Order Reference	Description
1.	47-094787-001		Ejector Actuating Lever
2.	47-094789-003		Retaining Pin
3.	47-094792-009		Universal Pin Station Assembly Complete (Pin Nos. 2,3,4,8, and 9)
4.	47-094794-009		Universal Pin Station Assembly Complete (Pin Nos. 7 and 10)
5.	47-094793-009		Universal Pin Station Assembly Complete (Pin Nos. 1,5, and 6)
6.	11-051743-001		Locknut (6 mm)
7.	47-094780-001		Retaining Bow w/o Flap (Pin Nos. 7 and 10)
8.	47-094779-001		Retaining Bow w/ Flap
9.	*47-090578-004		L.H. Torsion Spring
10.	**47-090577-004		R.H. Torsion Spring
11.	47-095154-009		Release Lever w/Release Button (includes item 22)
12.	*47-094785-002		L.H. Cam Assembly
13.	**47-094786-002		R.H. Cam Assembly
14.	47-094791-004		Ejector Tension Spring
15.	*47-094783-002		L.H. Ejector Flap
16.	**47-094784-002		R.H. Ejector Flap
17.	11-055301-001		Button Head Socket Screw w/Flange (6 mm x 16 mm)
18.	11-052037-001		Flat Washer (6.4 mm)
19.	47-094790-003		Square Spindle
	47-094790-009	R.O.	Square Shaft w/Bushing
20.	47-094788-003		Bevel Gear Shaft
21.	47-094778-001		Pin Station Housing - includes index numbers 26, 27 & 28
22.	47-094782-003		Release Button
23.	47-862931-000		Retaining Bow Extender Kit (1 per lane pair)
24.	47-095742-004		Bushing
25.	11-676308-000		Nyogel Lube
26.	47-861044-000		Retaining Rings (Qty. 20)
27.	47-861043-000		Plastic Bushing (Qty. 10)
28.	47-861045-000		Steel Shaft (Qty. 10)

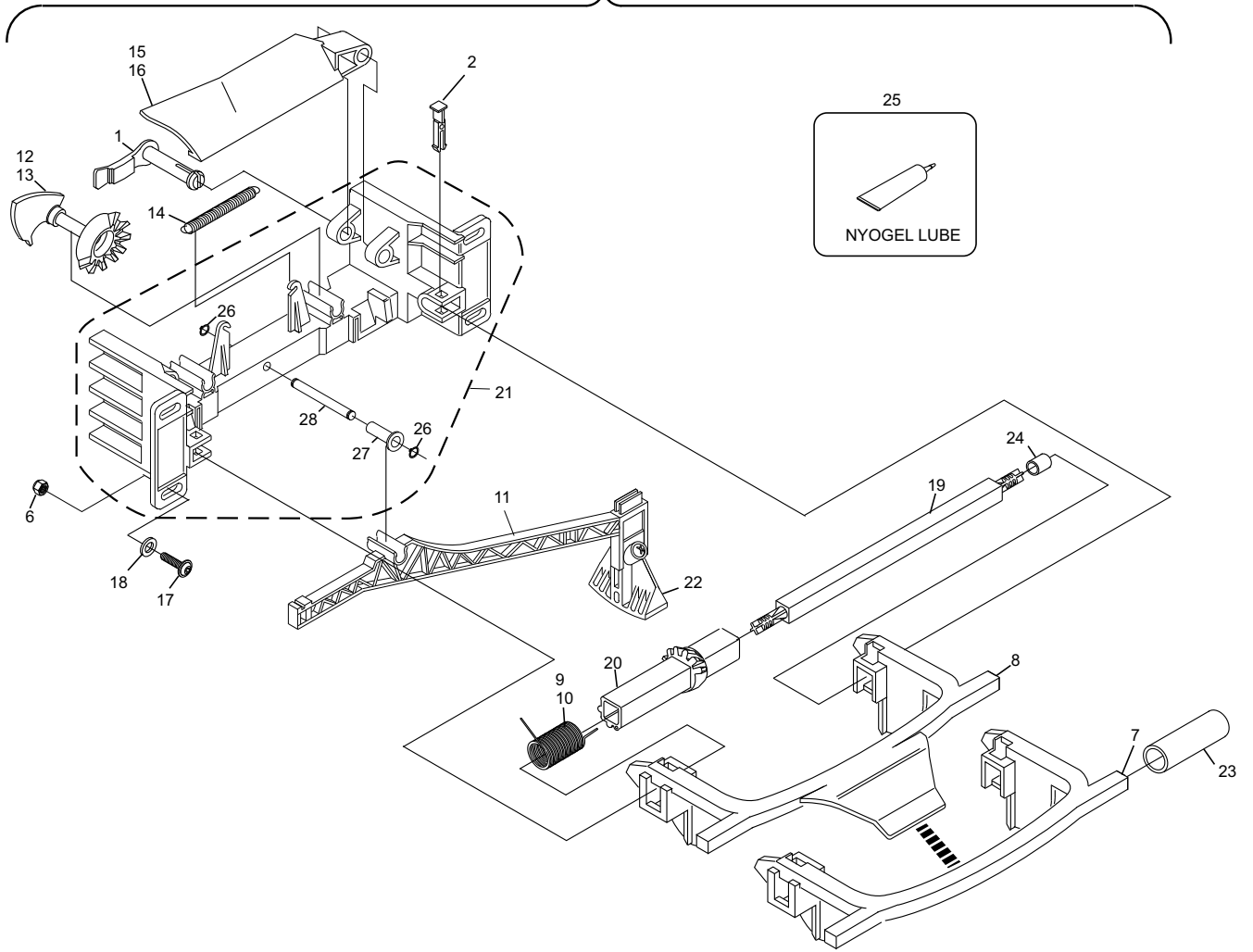
R.O. Replacement Option

* Pin Stations 1,5 and 6

** Pin Stations 2,3 and 4 (reversed release lever), 8 and 9.

Universal Pin Station Assembly

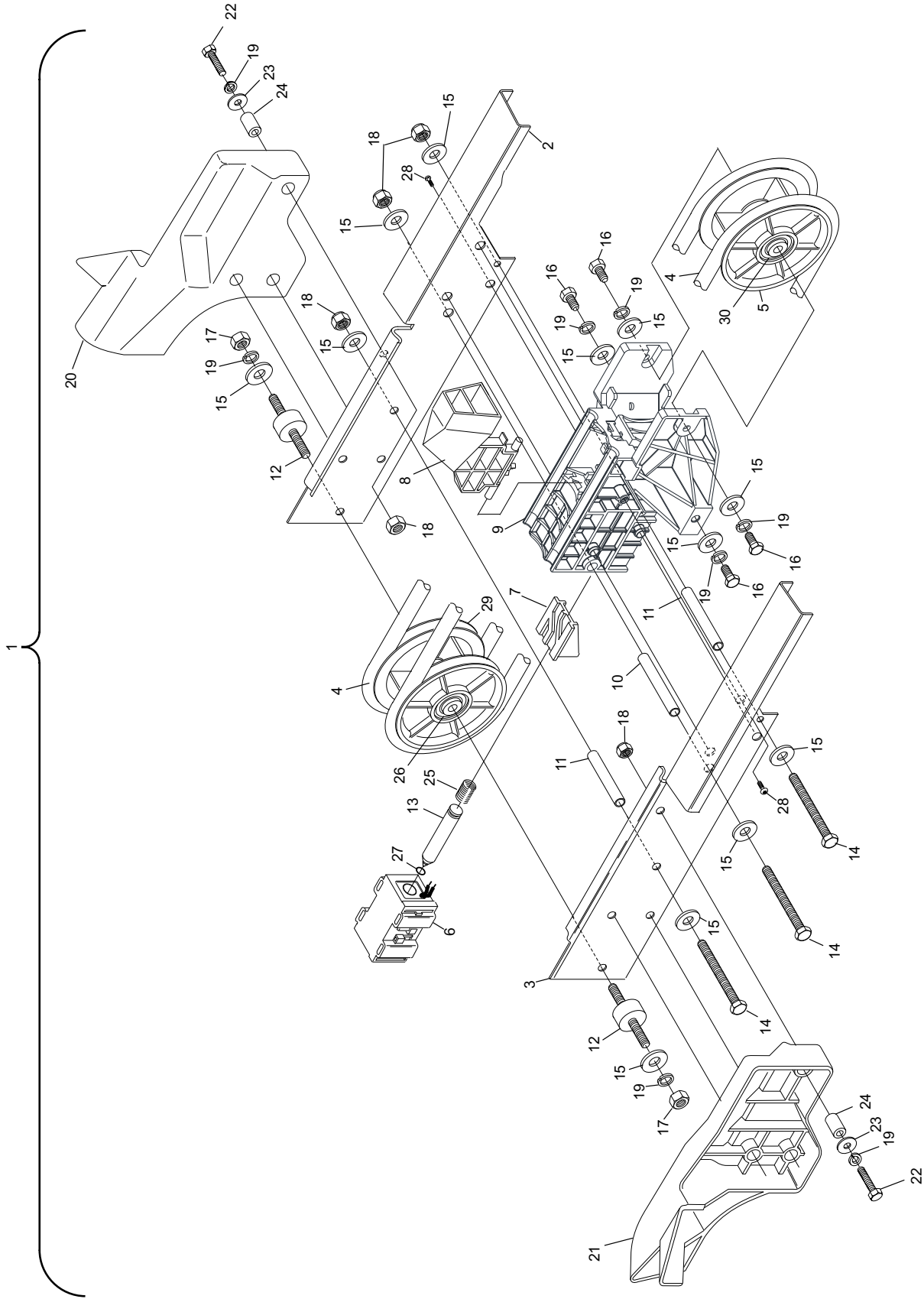
3
4
5



Universal Pin Station Assembly

Index No.	Part No.	Package / Order Reference	Description
1.	47-096683-009		Shark Switch Assembly
2.	47-096788-000		R.H.Guide
3.	47-096789-000		L.H. Guide
4.	47-092300-004		Polycord (12 mm x 44 Meters Long)
5.	47-095101-001		Round Belt Geared Pulley
	*47-095744-004	R.O.	Round Belt Geared Pulley - Complete
6.	99-060387-004		Solenoid - only
7.	47-095105-003		Slide
8.	47-095106-001		Fin Switch
9.	47-095107-003		Housing
10.	47-095112-004		Spacer - short
11.	47-095109-004		Spacer - long
12.	11-053579-000		Rubber Mount
13.	47-095111-004		Solenoid Plunger
14.	11-051081-001		Hex Hd. Cap Screw (8 mm x 100 mm)
15.	11-052006-001		Washer (8.4 mm)
16.	11-051010-001		Hex Hd. Cap Screw (8 mm x 20 mm)
17.	11-051704-001		Hex Nut (8 mm)
18.	11-051744-001		Lock Nut (8 mm)
19.	11-051770-001		Lock Washer (8 mm)
20.	47-093906-001		R.H. Pin Guide Wedge
21.	47-093929-001		L.H. Pin Guide Wedge
22.	11-051026-001		Hex Hd. Cap Screw (8 mm x 40 mm)
23.	11-052019-001		Flat Washer (8.4 mm)
24.	47-093925-004		Spacer
25.	99-090348-004		Spring
26.	11-430028-000		Bearing
27.	99-090349-004		O-Ring
28.	11-054459-000		Plastic Torx Tapping Screw (K16 x 16 mm)
29.	47-095745-004		Round Belt Pulley - Non Geared
30.	11-430007-000		Bearing

R.O. = Replacement Option



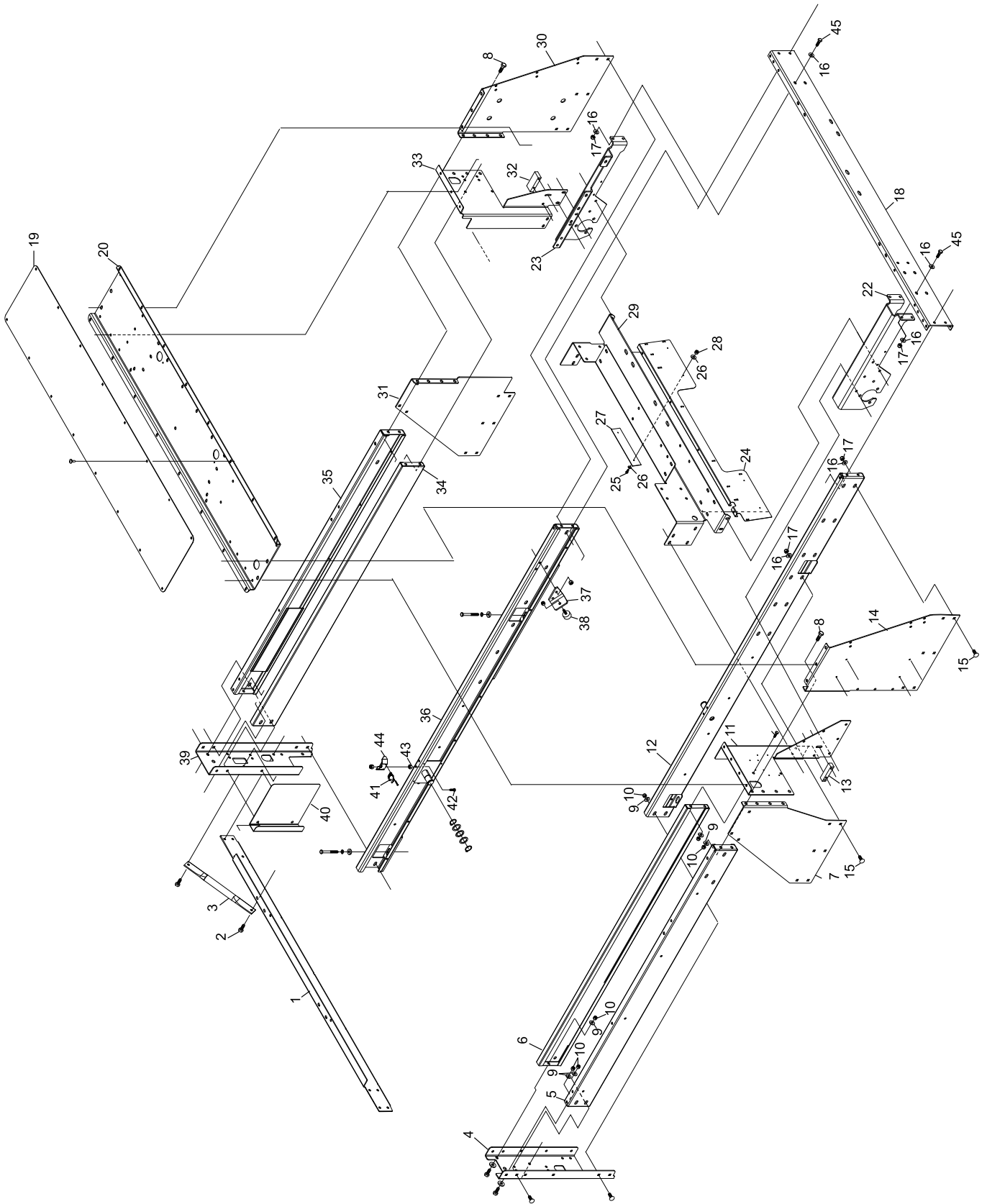
Smart Shark

Intentionally Blank Page

Section H
MAIN FRAME

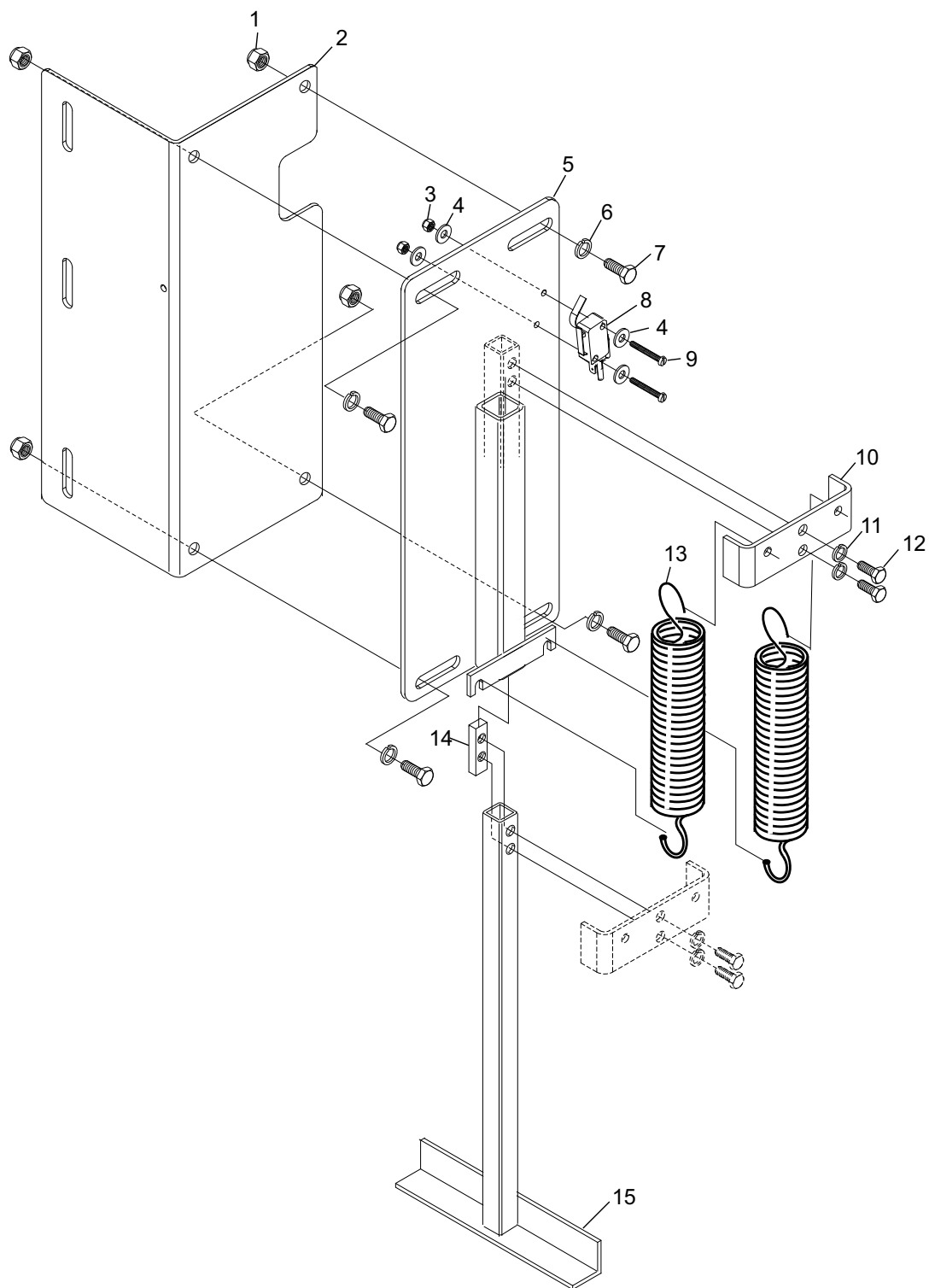
Index No.	Part No.	Package / Order Reference	Description
1.	47-087294-000		Bottom Back Bracket
2.	11-051015-001		Hex Head Cap Screw (M8 x 25 mm)
3.	47-082379-004		Rear Brace Support
4.	47-087310-000		Rear Post Right Hand
5.	47-087311-000		Upper Side Frame Outside
6.	47-087312-000		Upper Side Frame Inside
7.	47-087308-000		Left Hand Angle
8.	11-051045-001		Screw Hex. Cap. (M10 x 30 mm)
9.	11-052018-001		Flat Washer
10.	11-051745-001		Locknut (M10)
11.	47-087096-000		Angle Plate Left Hand
12.	47-087307-001		Bottom Side Frame Lower
13.	47-057250-000		Table Stabilizer Bar Left Hand
14.	47-087309-000		Front Plate Left Hand
15.	11-052612-000		Carriage Bolt (M8 x 20 mm)
16.	11-052003-001		Flat Washer (M8)
17.	11-051744-001		Hex Locknut (M8)
18.	47-087090-000		Front Bottom Bracket
19.	47-087092-000		Top Plate
20.	47-087091-000		Top Bracket
21.	11-052610-001		Carriage Bolt (M6 x 20 mm)
22.	47-087095-000		Left Hand Leg
23.	47-087094-000		Right Hand Leg
24.	47-227349-000		Mounting Plate - LED Pin Lamp
25.	11-051056-001		Hex Head Cap Screw (M4 X 10 mm)
26.	11-192009-000		Nylon Washer - .156" ID X .31" OD X .031"
27.	47-143107-000		Assembly, Dual Color LED Light Module
28.	11-051741-001		Hex Nylok (M4)
29.	47-227349-000		LED Lamp Plate
30.	47-087302-000		Front Plate Right Hand
31.	47-087301-000		Right Hand Angle
32.	47-057249-000		Table Stabilizer Block Right Hand
33.	47-087097-000		Angle Plate Right Hand
34.	47-087305-000		Upper Inside Frame Right Hand
35.	47-087304-000		Upper Outside Frame Right Hand
36.	47-087305-000		Bottom Right Side Frame
37.	47-047289-000		Bracket
38.	99-020434-004		Shock Mount
39.	47-087303-000		Rear Post Right Hand
40.	47-226825-000		Distributor Guard
41.	99-050325-004		Micro Switch
42.	11-051018-001		Screw Hex Cap (M6 x 20 mm)
43.	11-051702-001		Hex Nut (M6)
44.	47-047313-000		Switch Holder
45.	11-051015-001		Screw Hex Cap (M8 x 25 mm)

NXT - Main Frame Assembly



NXT - Main Frame Assembly

Index No.	Part No.	Package / Order Reference	Description
1.	11-051744-001		Locknut (8 mm)
2.	47-086748-000		Spring Support Plate
3.	11-051746-001		Lock Nut
4.	11-052058-000		Flat Washer
5.	47-086749-009		Assembly, Table Jam Switch Weldment
6.	11-052003-001		Flat Washer (8.4 mm)
7.	11-051010-001		Hex Hd. Cap Screw (8 mm x 20 mm)
8.	99-050325-004		Micro Switch
9.	11-052214-000		Screw (M3 x 20 mm)
10.	47-082329-004		Spring Bracket
11.	11-051769-001		Lockwasher (M6)
12.	11-051001-001		Hex Head Cap Screw (M6 x 12)
13.	47-081654-004		Spring
14.	47-082331-004		Nut Plate
15.	47-086782-009		Roller Lever



NXT - TS-1 Switch

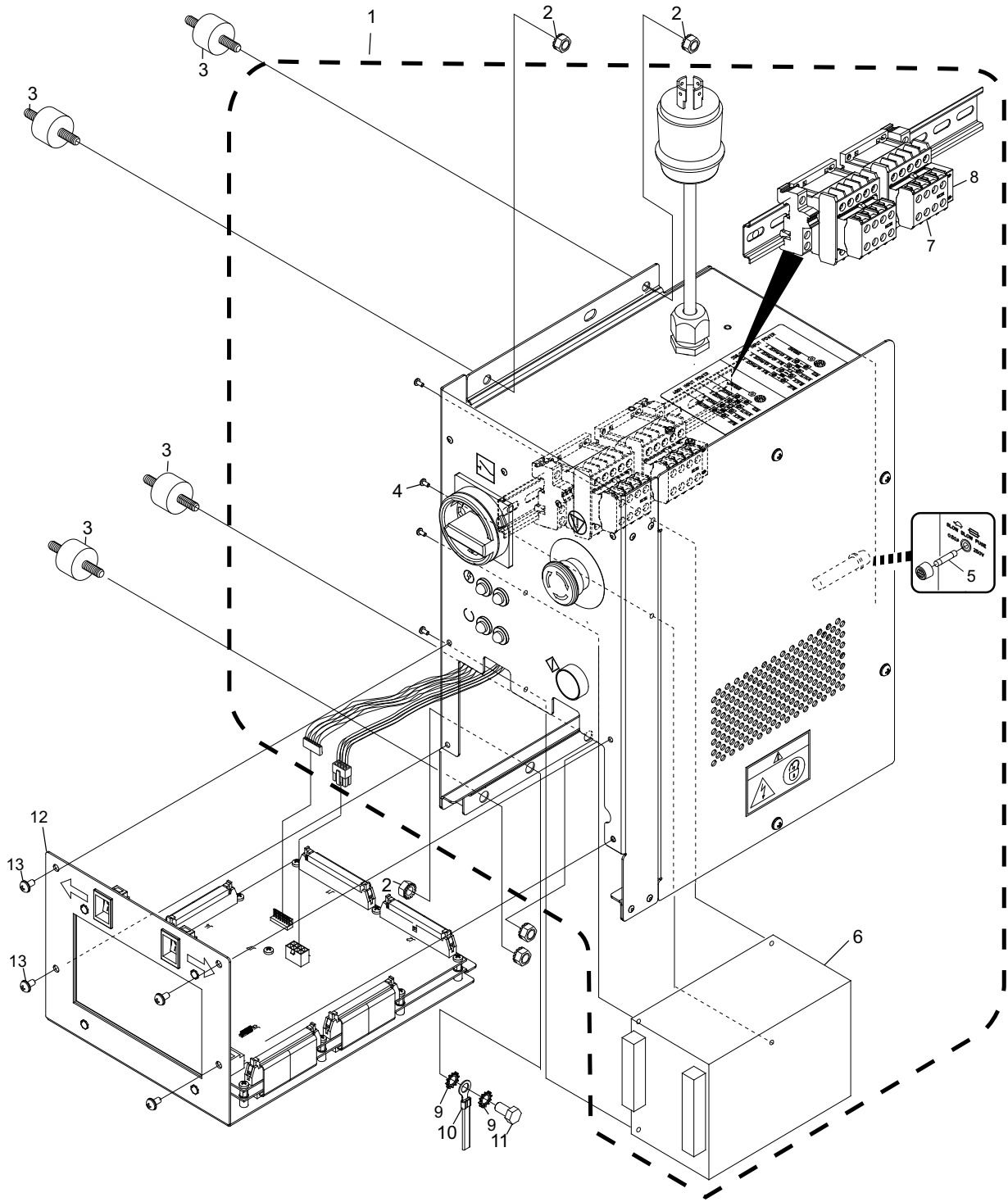
Intentionally Blank Page

Section J
ELECTRICAL

Index No.	Part No.	Package / Order Reference	Description
1.	47-143018-000		Standard Chassis without Slide Out
2.	11-055480-001		Nut (M8) with External Tooth Lockwasher
3.	11-053590-000		Vibration Mount
4.	11-056088-015		Pan Head Screw w/external tooth Lockwasher (M3 x 6 mm)
5.	11-685056-000		Fuse
6.	11-696982-000		Power Supply 24V, 25Amp
7.	11-671008-000		Contactorm Block
8.	11-671009-000		Surge Suppressor
9.	11-051015-001		External Tooth Lockwasher
10.	47-142873-000		Ground Cable Assembly
11.	11-051039-001		Hex Head Cap Screw (M8 x 16 mm)
12.	47-143021-400		Slide Out Tray Assembly
13.	11-056026-023		Screw

* xxx - 000 or 100 (Do Not Mix)

360 Controller (Standard Guarding) 47-143010-4XX

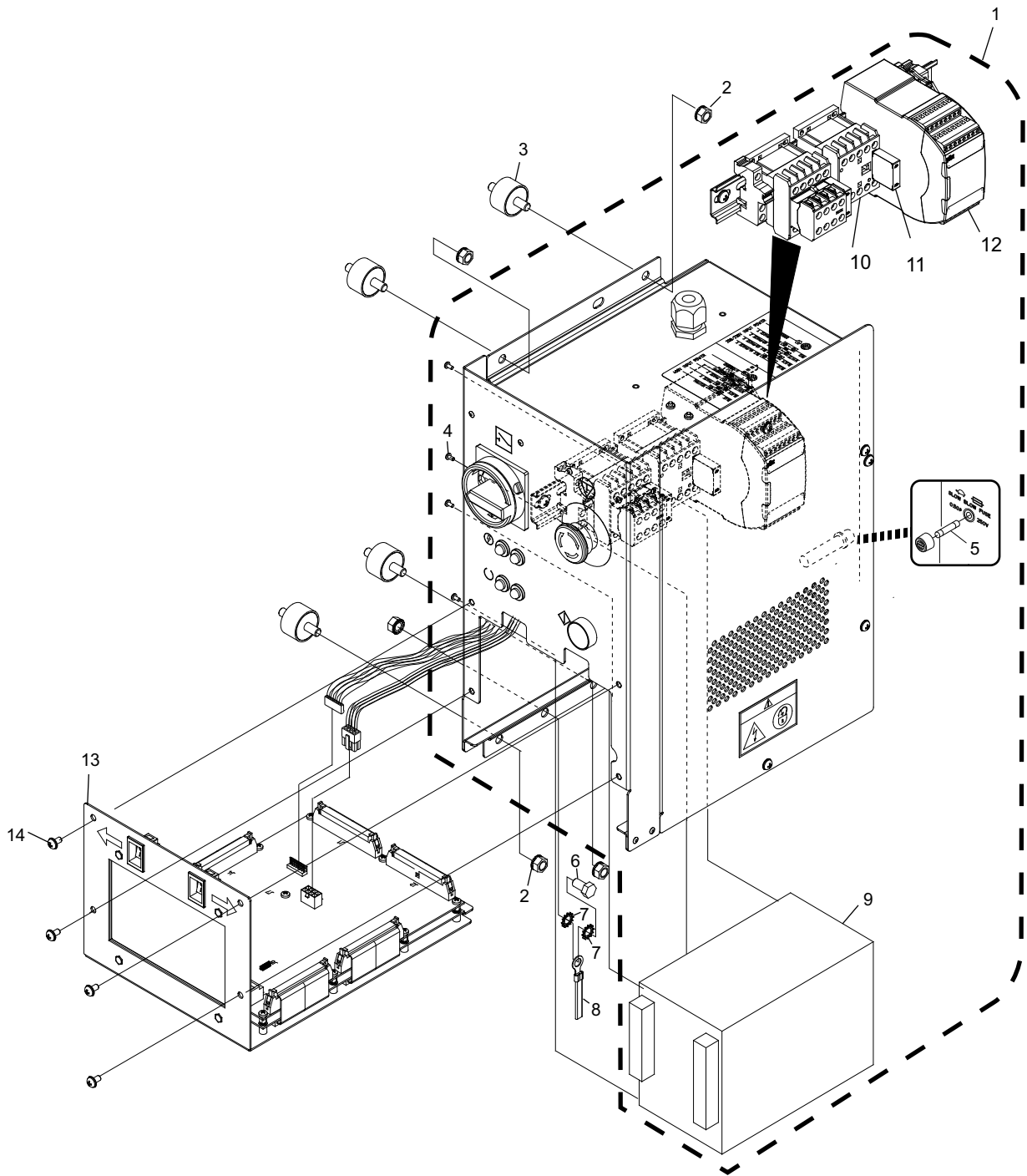


360 Controller (Standard Guarding) 47-143010-4XX

Index No.	Part No.	Package / Order Reference	Description
1.	47-143019-4xx*		Chassis without Slide Out
2.	11-055480-001		Nut (M8) with External Tooth Lockwasher
3.	11-053590-000		Vibration Mount
4.	11-056008-015		Pan Head Screw w/external Tooth Lockwasher (M3 x 6 mm)
5.	11-685056-000		Fuse
6.	11-051039-001		Hex Head Cap Screw (M8 x 16 mm)
7.	11-051015-001		External Tooth Lockwasher
8.	47-142873-000		Ground Cable Assembly
9.	11-696982-000		Power Supply 24V, 25Amp
10.	11-671007-001		Relay
11.	11-671009-001		Surge Suppressor
12.	11-696686-000		Pilz Controller
13.	47-143021-400		Slide Out Tray Assembly
14.	11-056026-023		Screw

*402 - Ball Return Door/2 Division Doors/Masking Unit/Photo Sensor - 30s Time Limit
403 - Ball Return Door/2 Division Doors/Photo Sensor - 30s Time Limit
404 - Photosensor Only - No Time Limit
405 - Masking Unit/Photo Sensor - 45s Time Limit
406 - Ball Return Door/1 Division Door/Photo Sensor - 30 S Time Limit)
407 - Ball Return Door/1 Division Door/Masking Unit/Photo Sensor - 30s Time Limit

360 Controller - Chassis (Premium/CE Guarding) 47-143011-4XX (Internal Restart Button)

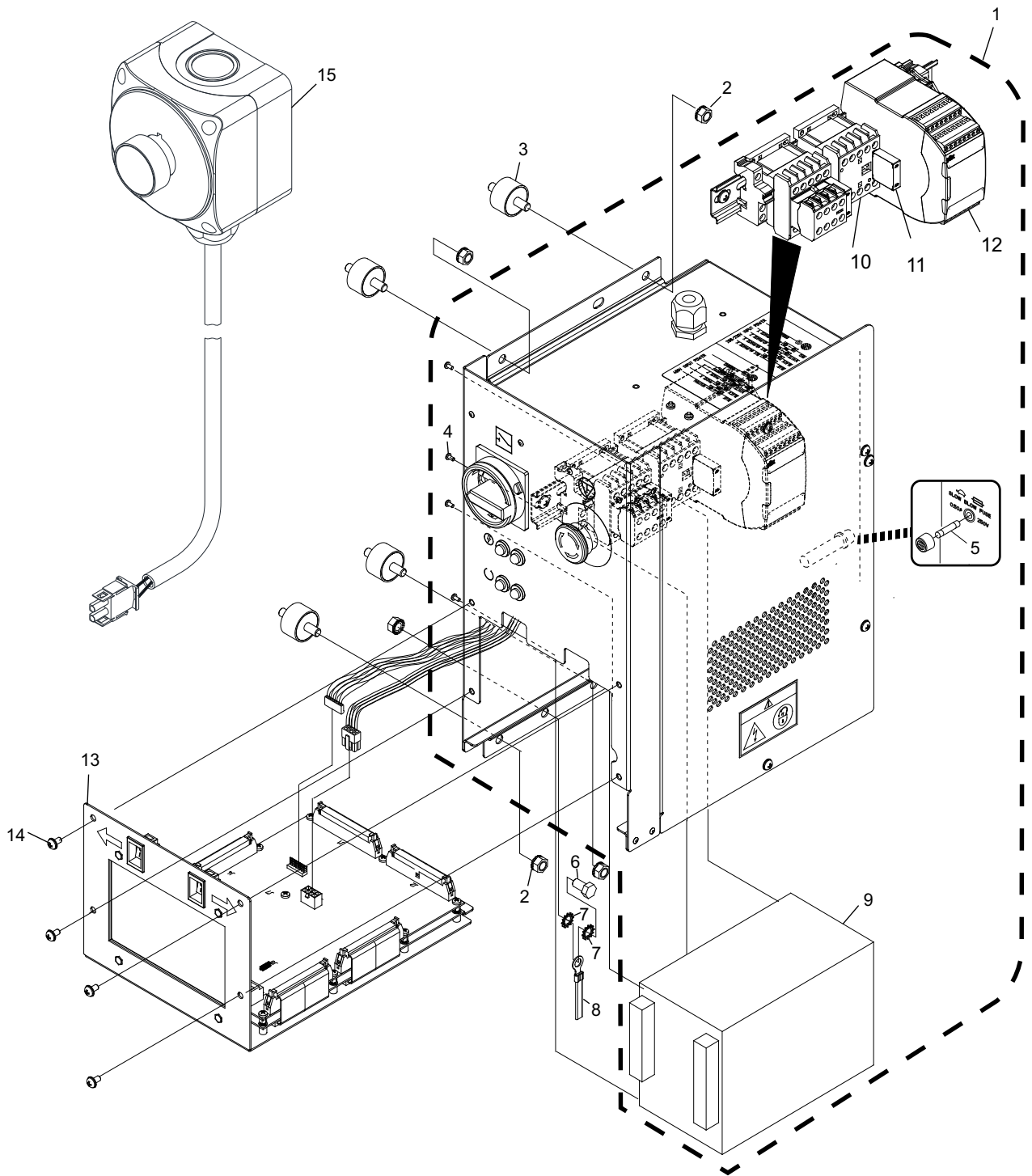


360 Controller - Chassis (Premium/CE Guarding) 47-143011-4XX (Internal Restart Button)

Index No.	Part No.	Package / Order Reference	Description
1.	47-143019-4xx*		Chassis without Slide Out (Includes Index 15)
2.	11-055480-001		Nut (M8) with External Tooth Lockwasher
3.	11-053590-000		Vibration Mount
4.	11-056008-015		Pan Head Screw w/external Tooth Lockwasher (M3 x 6 mm)
5.	11-685056-000		Fuse
6.	11-051039-001		Hex Head Cap Screw (M8 x 16 mm)
7.	11-051015-001		External Tooth Lockwasher
8.	47-142873-000		Ground Cable Assembly
9.	11-696982-000		Power Supply 24V, 25Amp
10.	11-671007-001		Relay
11.	11-671009-001		Surge Suppressor
12.	11-696686-000		Pilz Controller
13.	47-143021-400		Slide Out Tray Assembly
14.	11-056026-023		Screw
15.	47-143083-001	47-863031-000	Assembly - Interlock Restart Switch

- *402 - Ball Return Door/2 Division Doors/Masking Unit/Photo Sensor - 30s Time Limit
- 403 - Ball Return Door/2 Division Doors/Photo Sensor - 30s Time Limit
- 404 - Photosensor Only - No Time Limit
- 405 - Masking Unit/Photo Sensor - 45s Time Limit
- 406 - Ball Return Door/1 Division Door/Photo Sensor - 30 S Time Limit)
- 407 - Ball Return Door/1 Division Door/Masking Unit/Photo Sensor - 30s Time Limit
- 408 - 2-Return Door/2 Division Door/2-Masking Unit/Photo Sensor - 30 S Time Limit)
- 409 - 2-Return Door/2 Division Door//Photo Sensor - 30 S Time Limit)

360 Controller - Chassis (Premium/CE Guarding) 47-143011-4XX (External Restart Button)

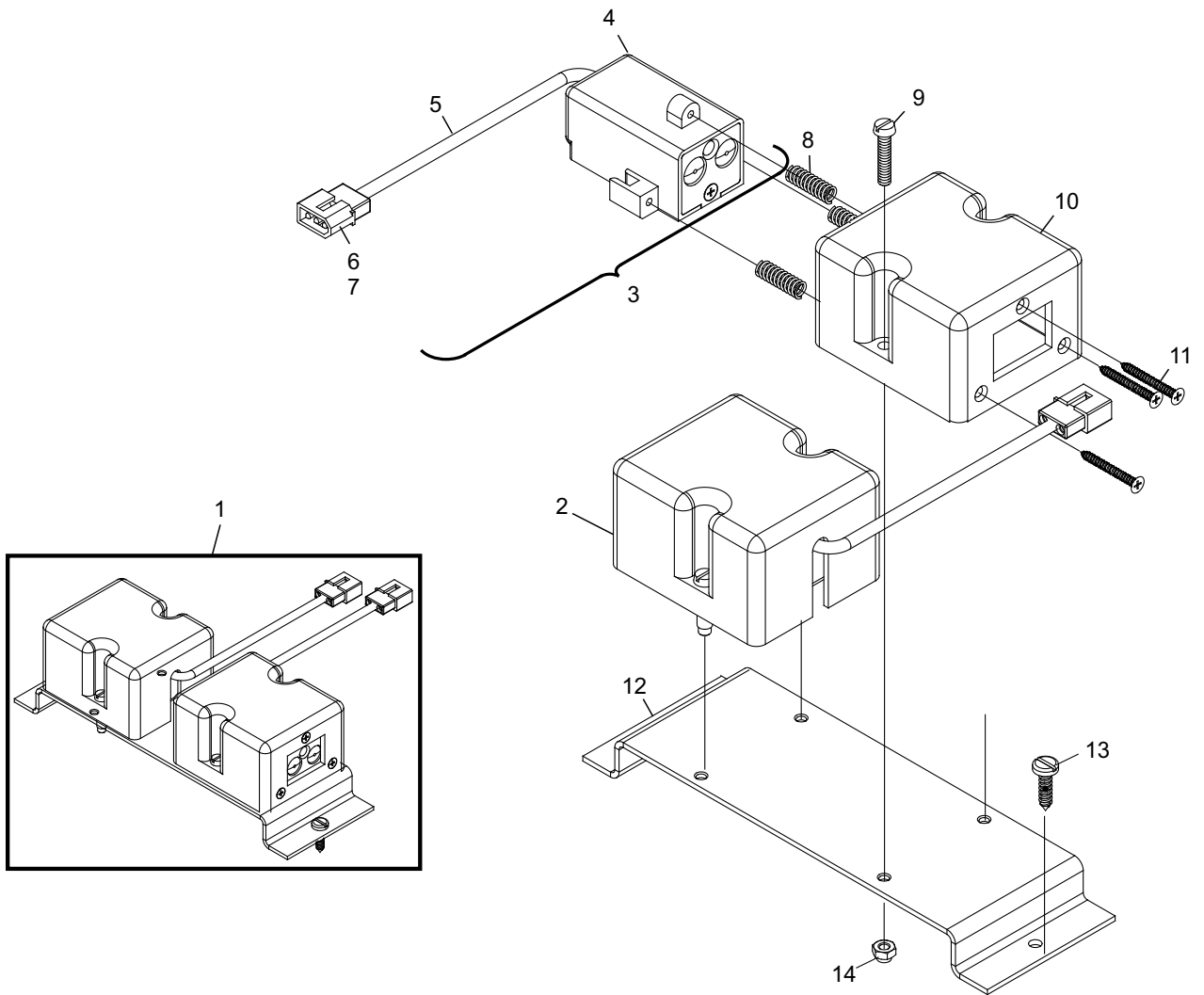


360 Controller - Chassis (Premium/CE Guarding) 47-143011-4XX (External Restart Button)

Index No.	Part No.	Package / Order Reference	Description
1.	99-087141-000		Pkg. Ball Detect Complete w/Bracket & Hardware
2.	99-087140-000		Ball Detect Only - Single Unit
3.	99-087139-000		Ball Detect Red Box Complete
4.	99-080183-004		Ball Detector Box
5.	99-080269-004		Cable - Ball Detector Reflector Light
6.	11-680101-000		Connector Plug (Molex)
7.	11-680302-000		Terminal
	57-860032-000	R.O.	Terminal - Male (Pkg. of 10)
8.	99-080180-004		Compression Spring
9.	11-052111-001		Screw Slotted Mach. Hd. M6 x 20
10.	99-080186-003		Ball Detect Housing
11.	11-086307-001		Screw Flat Hd. Self Tapping
12.	99-080213-003		Support Bracket
13.	11-053203-001		Tapping Screw
14.	11-051741-001		Metric Hex Locknut

R.O. = Replacement Option

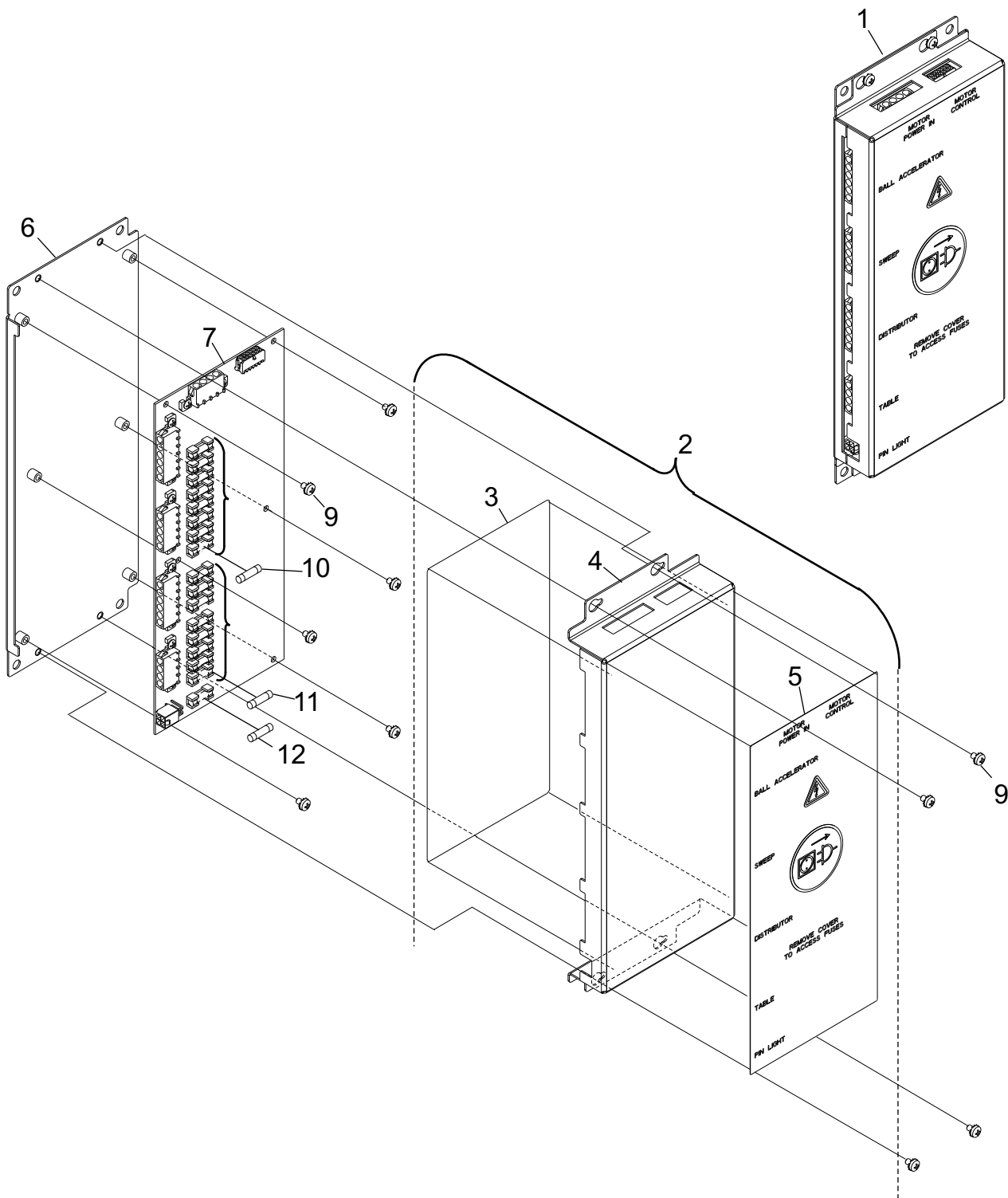
Ball Detect



Ball Detect

Index No.	Part No.	Package / Order Reference	Description
1.	47-143020-220	47-863021-220	Assembly - High Voltage Control Box (200-220V)
	47-143020-400	47-863021-400	Assembly - High Voltage Control Box (380-400V)
2.	99-087140-000		Assembly - Cover with Labels
3.	47-143059-000		Function High Voltage Box Label
4.	47-143005-002		High Voltage Box Cover
5.	47-143006-000		High Voltage Box Cover Label
6.	47-143005-001		High Voltage Box Base
7.	47-143003-220	47-863021-220	Assembly High Voltage Motor Control PCB (200-220V)
	47-143003-400	47-863021-400	Assembly High Voltage Motor Control PCB (380-400V)
8.	11-053203-001		Tapping Screw
9.	11-056006-015		Screw Pan Hd. C.R. w/Ext. Tooth Washer
10.	11-685067-000		Fuse - 3.00A, 250V (5 x 20mm Slow Blow)
11.	11-685074-000		Fuse - 5.00A, 250V (5 x 20mm Slow Blow)
12.	11-685081-000	47-863025-000	Fuse - 2.50A, 250V (5 x 20mm Slow Blow)

High Voltage Control Box



High Voltage Control Box

Index No.	Part No.	Package / Order Reference	Description
1.	11-051741-001		Locknut (M4)
2.	11-052025-001		Flat Washer
3.	11-053812-001		Pan Head Cap Screw (M4 x 12 mm)
4.	47-143083-000		Assembly Photo Sensor Restart
5.	47-143095-000		Photo Sensor Reset Bracket
6.	47-086386-000		Photo Sensor Reset Label
7.	47-143096-000	47-863023-000	Photo Sensor w/Reset Bracket
8.	47-132082-000		Cable Assembly - Photo Sensor
9.	11-615064-000		Grommet
10.	11-615065-000		Locknut
11.	11-618002-000		Insulation Box (Gray/Black)
12.	11-615087-000		Push Button

Photo Sensor Reset Switch

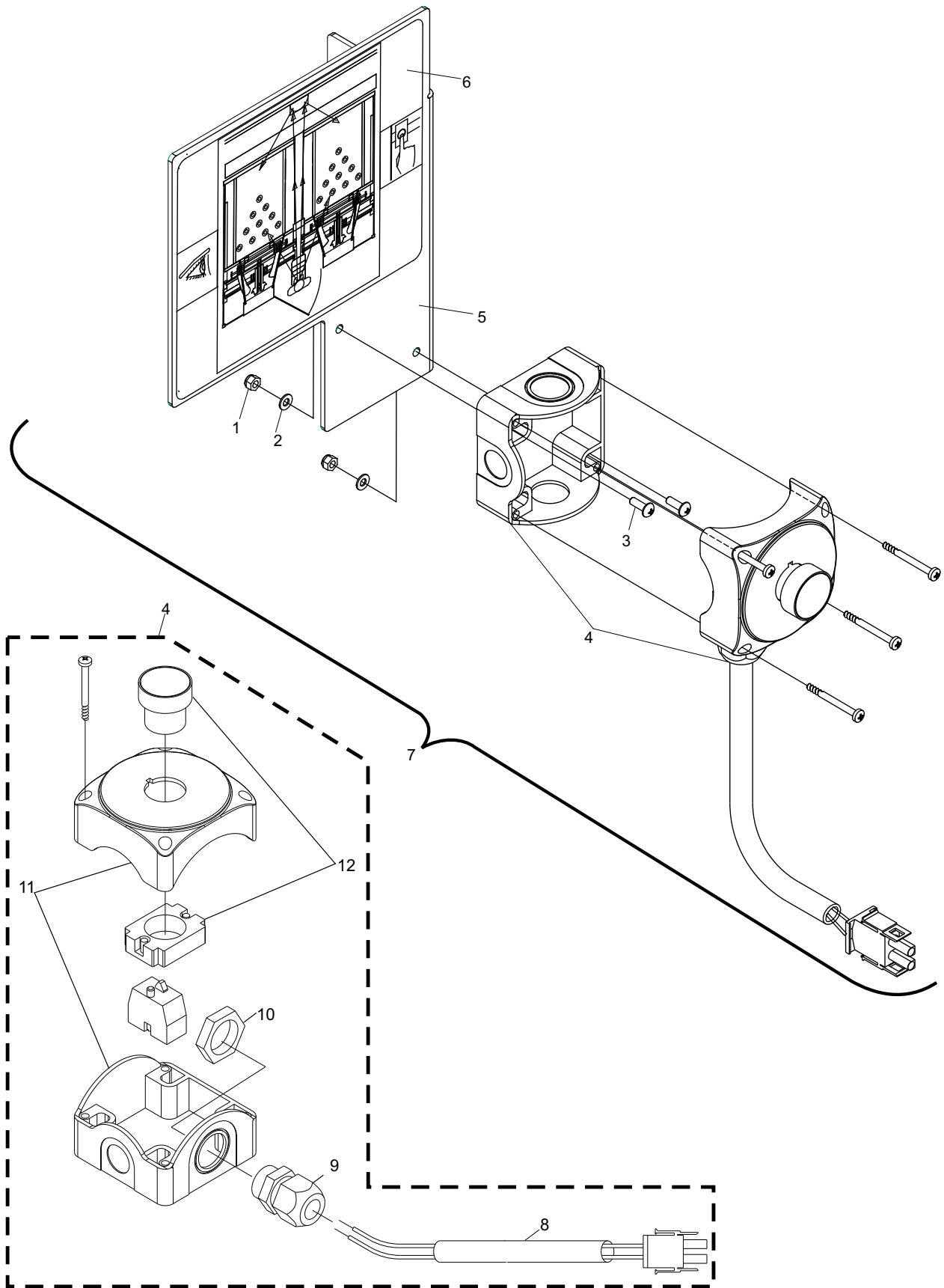


Photo Sensor Reset Switch

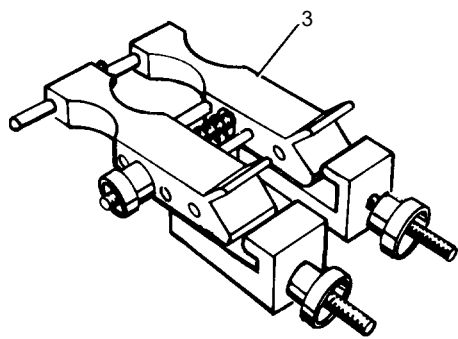
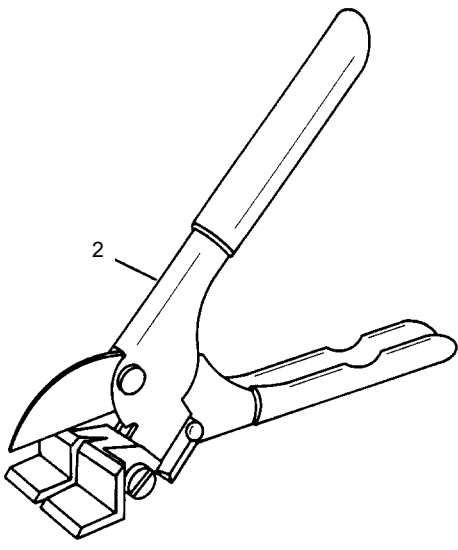
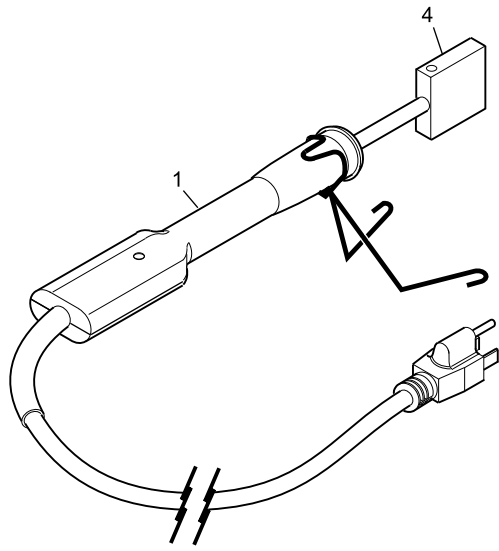
Intentionally Blank Page

Section K
MISCELLANEOUS

Index No.	Part No.	Package / Order Reference	Description
1.	47-097132-000		Belt Welding Iron (115V)
	47-097133-000		Belt Welding Iron (230V)
2.	47-093876-004		Belt Cutter
3.	47-862770-000		Round Belt Welding Clamp
4.	47-097136-000		OEM Belt Welding tip for 115V & 230V
5.	*47-277134-009		Belt Welding Kit - 115VAC (includes index Nos. 1, 2, and 3)
	*47-277135-009		Belt Welding Kit - 230VAC (includes index Nos. 1, 2, and 3)

* Not Illustrated

Belt Welding Kit and Belt Cutter



Belt Welding Kit and Belt Cutter